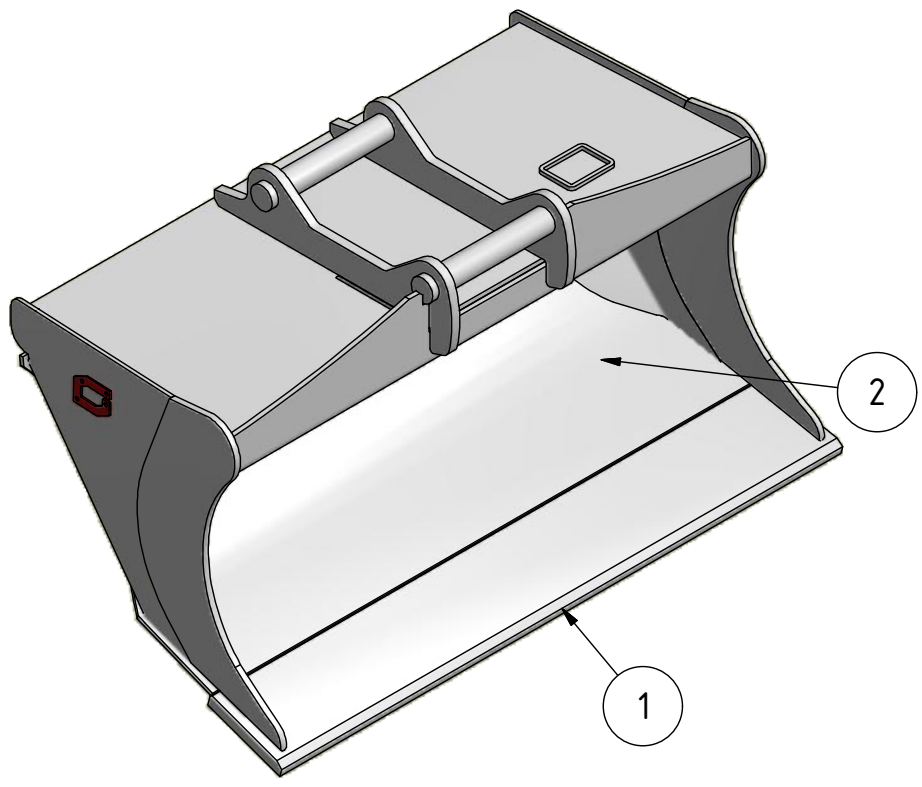
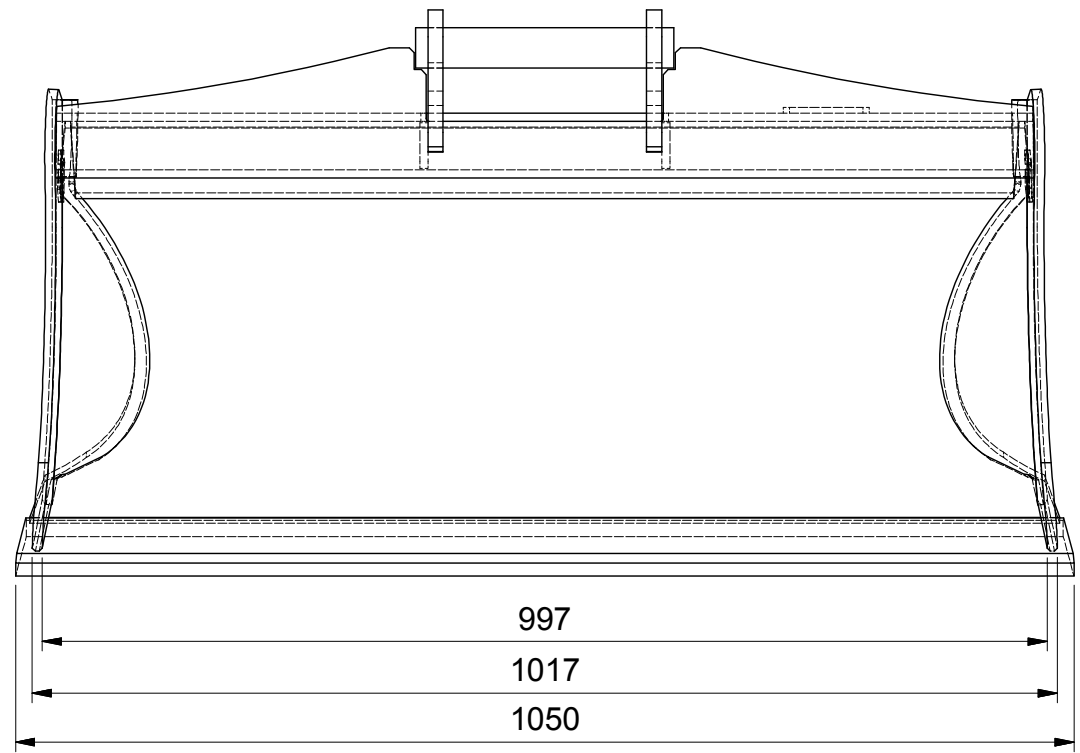
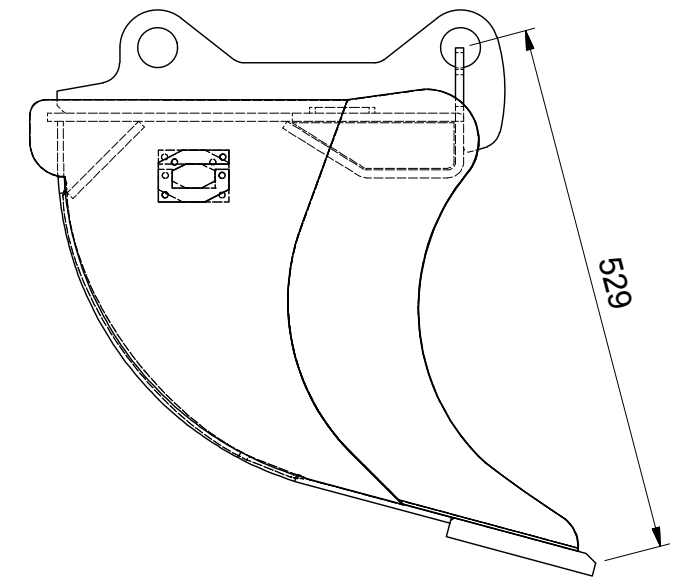


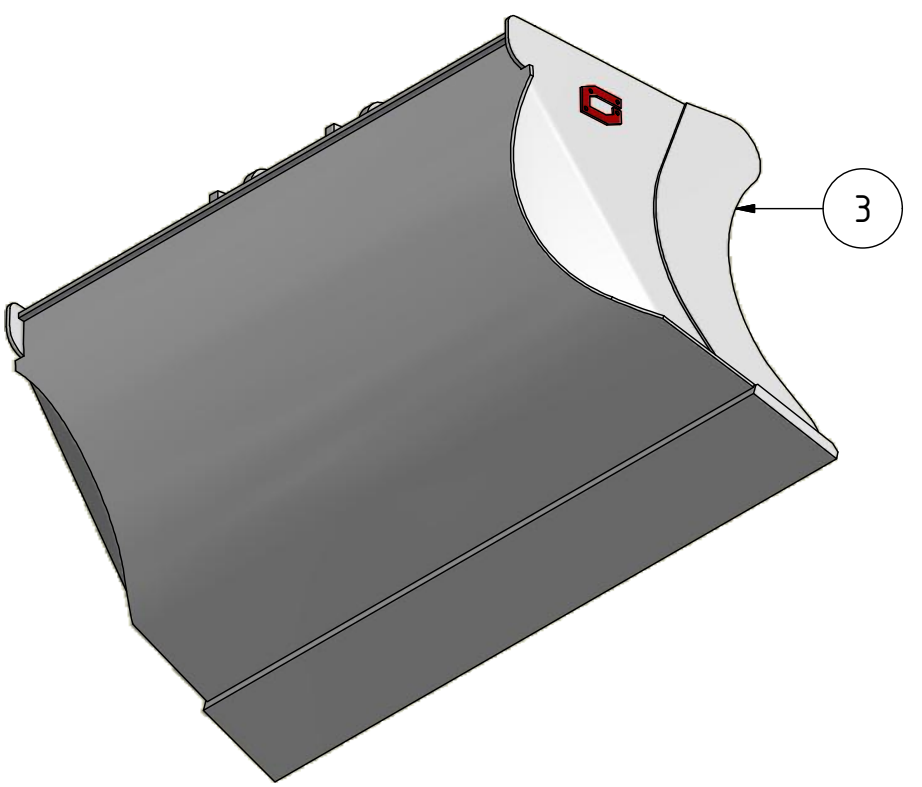
VIEW8 ( 1 : 10 )



VIEW6 ( 1 : 7.5 )



VIEW9 ( 1 : 10 )



**Recommended machine weight:** 2-3 T

SPECIFICATION			
POS	TITLE	MATERIAL	DESCRIPTION
1.	FRONT EDGE	HB450	20x150x1050mm
2.	BOTTOM PLATE	HB450	6mm
3.	SIDE MEMBER	HB450	10mm
4.			
5.			
6.			

<b>GENERAL TOLERANCES</b> For non tolerance measurements		Denne tegning og konstruksjon er vår eiendom, og tillates IKKE kopiert eller benyttet uten vår tillatelse. Overtredelse vil kunne medføre straff og/eller erstatningsansvar i henhold til gjeldende lov. This drawing and design is our property, and NOT allowed copied or used without our permission. Any misuse can lead to prosecution and/or liability for compensation according to law.	
<b>MACHINED PARTS:</b> NS-ISO 2768-1 Grade: m		Scale:  <b>A3</b>	Projection: 
<b>WELDED CONSTRUCTIONS:</b> NS-EN ISO 13920 1. Linear measurements class: A 2. Angle measurements class: B 3. Straightness etc. class: F		GJERSTAD STD SLOPE BUCKET 110L S40	Date : 20-Apr-15 Draw.: PR Contr.:
<b>Gjerstad Engineering AS</b> Brokelandsheia, N-4993 sundebru www.gjerstad.com		Draw.no.: <h1>GE3301-A-SALE</h1>	
		Total weight: 126 kg	Revision: