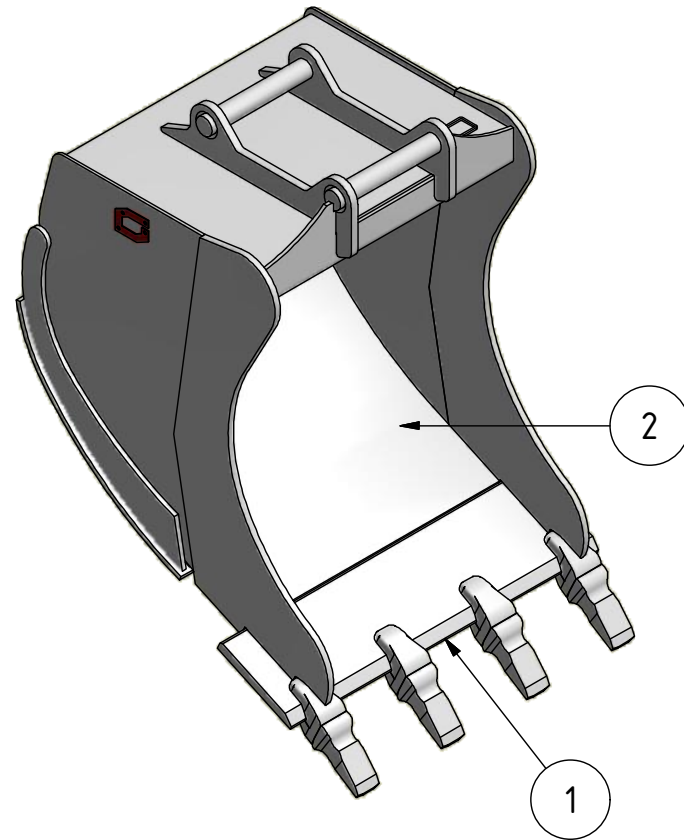
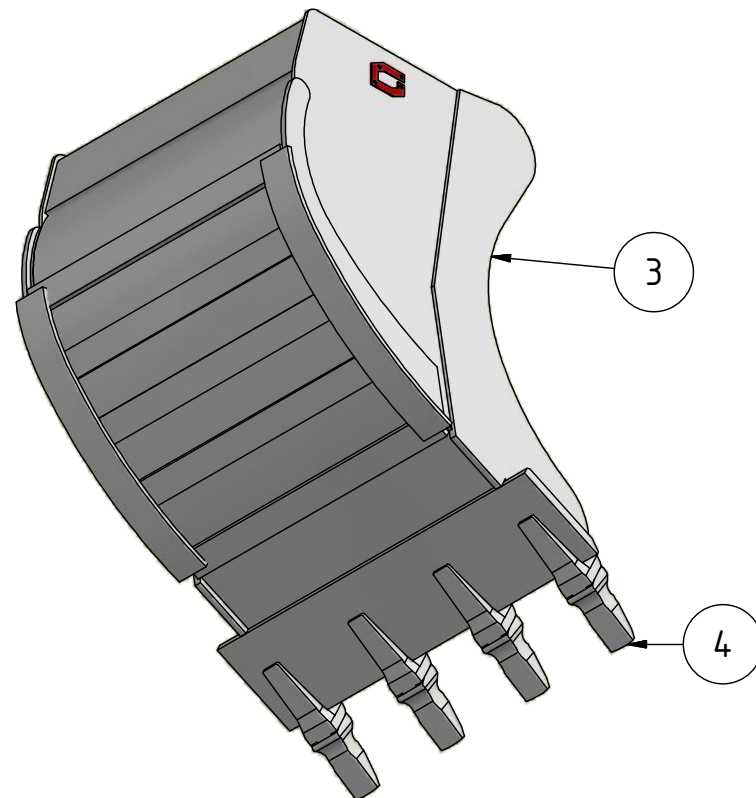


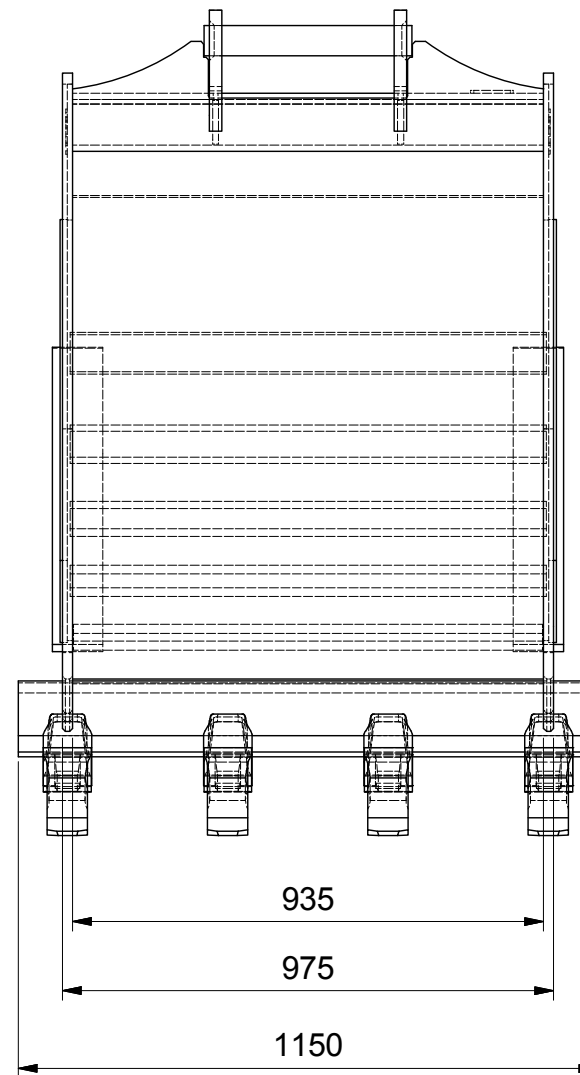
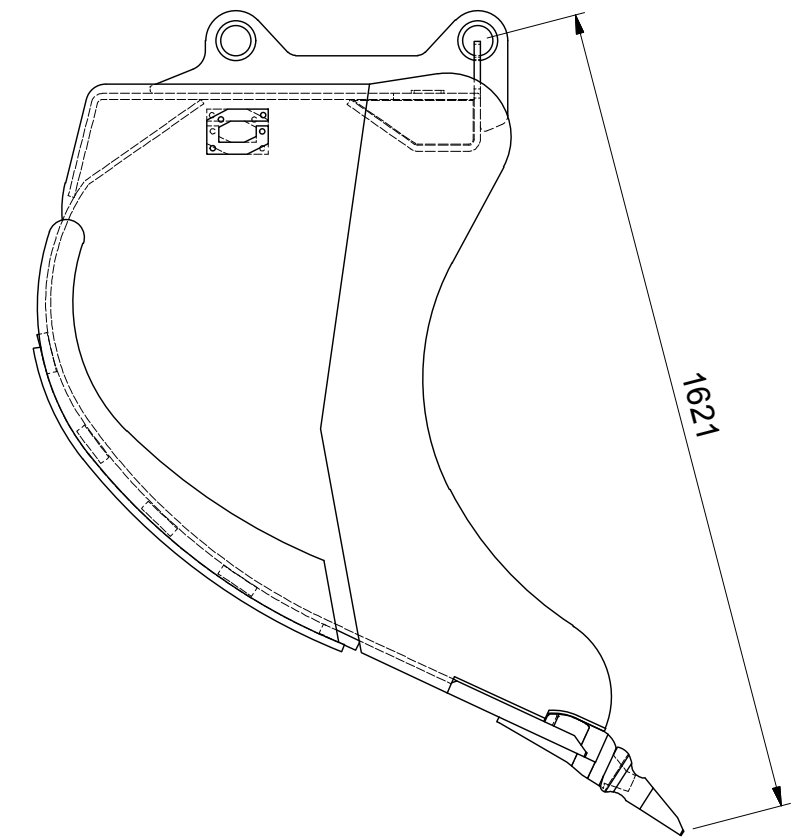
VIEW17 (1 : 20)



VIEW18 (1 : 20)



VIEW15 (1 : 15)



Recommended machine weight: 16-20 T

SPECIFICATION			
POS	TITLE	MATERIAL	DESCRIPTION
1.	FRONT EDGE	HARDOX 450	30x300x1150mm
2.	BOTTOM PLATE	HARDOX 450	10mm
3.	SIDE MEMBERS	HARDOX 450	20mm
4.	GET	VOLVO	15 AMRE
5.			
6.			

GENERAL TOLERANCES
For non tolerance measurements

Denne tegning og konstruksjon er vår eiendom, og tillates IKKE kopiert eller benyttet uten vår tillatelse.
Overtredelse vil kunne medføre straff og/eller erstatningsansvar i henhold til gjeldende lov.
This drawing and design is our property, and NOT allowed copied or used without our permission.
Any misuse can lead to prosecution and/or liability for compensation according to law.

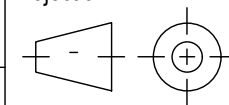
MACHINED PARTS:
NS-ISO 2768-1
Grade: m

**GJERSTAD STD BUCKET 900L S60
15 AMRE**

Scale:

A3

Projection:



Date: 11-Apr-15

Draw.: PR

Contr.:

WELDED CONSTRUCTIONS:
NS-EN ISO 13920
1. Linear measurements class: A
2. Angle measurements class: B
3. Straightness etc. class: F



Gjerstad Engineering AS
Brokelandsheia, N-4993 sundebru
www.gjerstad.com

Draw.no.:

GE3182-A-SALE

Total weight:

714 kg

Revision: