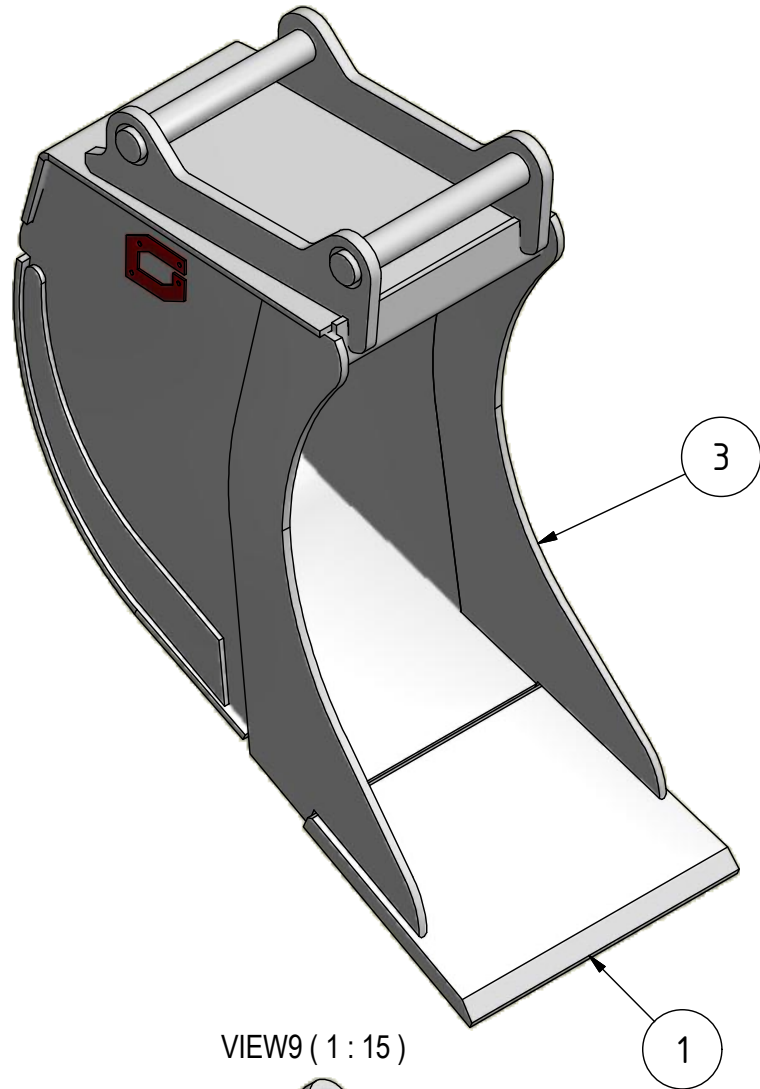
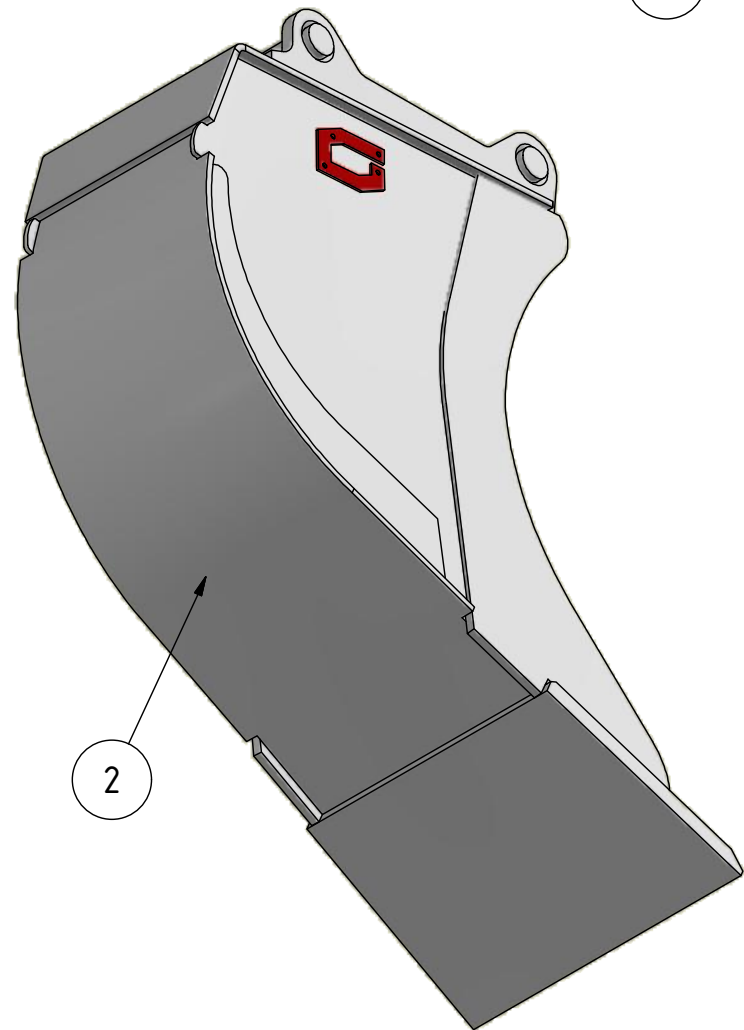


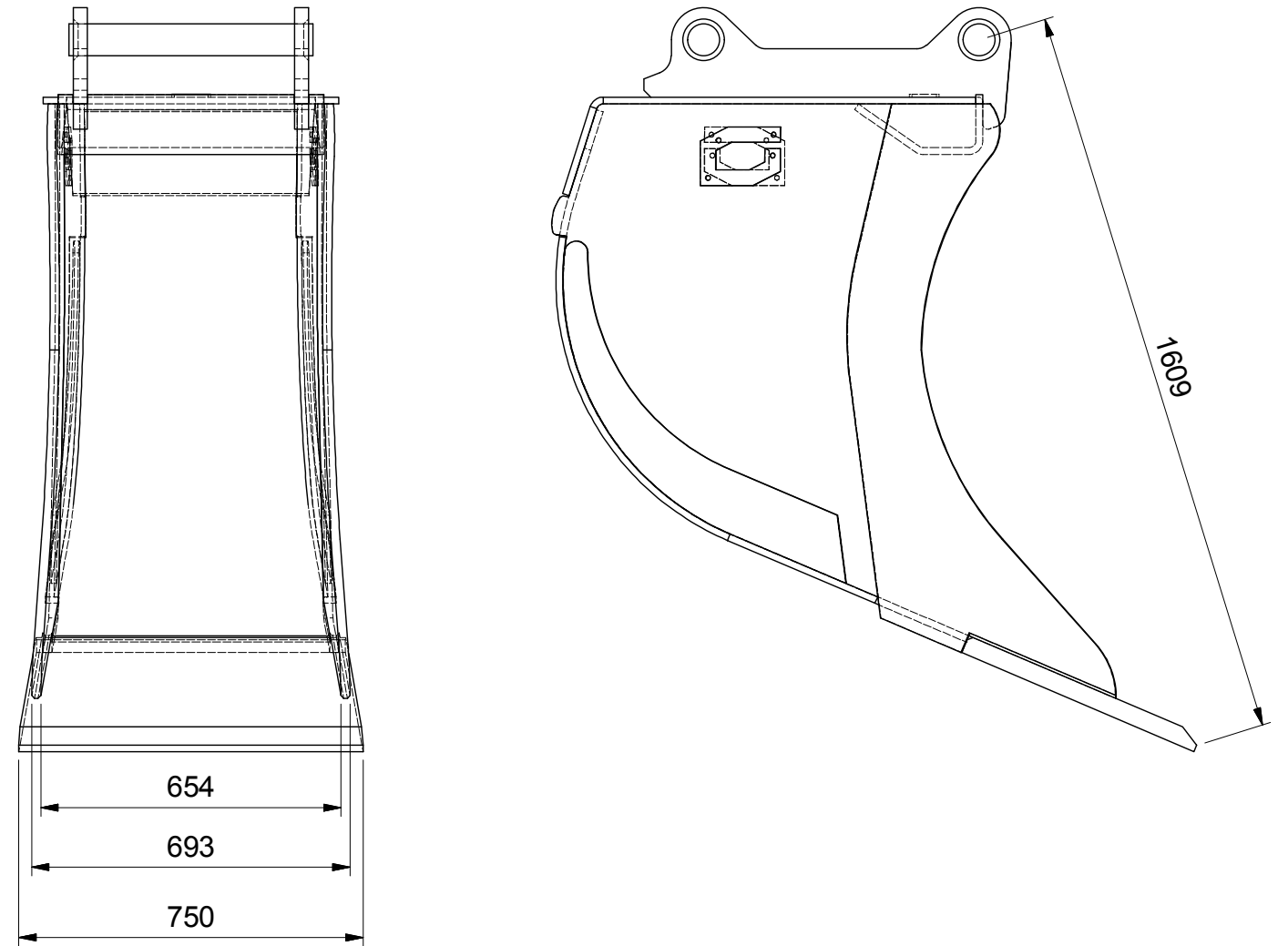
VIEW8 (1 : 15)



VIEW9 (1 : 15)



VIEW6 (1 : 15)



Recommended machine weight: 23-32 T

SPECIFICATION			
POS	TITLE	MATERIAL	DESCRIPTION
1.	FRONT EDGE	HARDOX 450	750 x 550 x 40mm
2.	BOTTOM PLATE	HARDOX 450	15mm
3.	SIDE MEMBER	HARDOX 500	20mm
4.			
5.			
6.			

GENERAL TOLERANCES
For non tolerance measurements

Denne tegning og konstruksjon er vår eiendom, og tillates IKKE kopiert eller benyttet uten vår tillatelse.
Overtredelse vil kunne medføre straff og/eller erstatningsansvar i henhold til gjeldende lov.
This drawing and design is our property, and NOT allowed copied or used without our permission.
Any misuse can lead to prosecution and/or liability for compensation according to law.

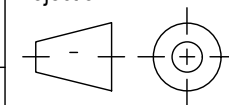
MACHINED PARTS:
NS-ISO 2768-1
Grade: m

GJERSTAD HD DITCH BCUKET 700L S70

Scale:

A3

Projection:



Date : 21-Apr-15

Draw.: PR

Contr.:

WELDED CONSTRUCTIONS:
NS-EN ISO 13920
1. Linear measurements class: A
2. Angle measurements class: B
3. Straightness etc. class: F



Gjerstad Engineering AS
Brokelandsheia, N-4993 sundebru
www.gjerstad.com

Draw.no.:

GE21715-SALE

Total weight:

602 kg

Revision: