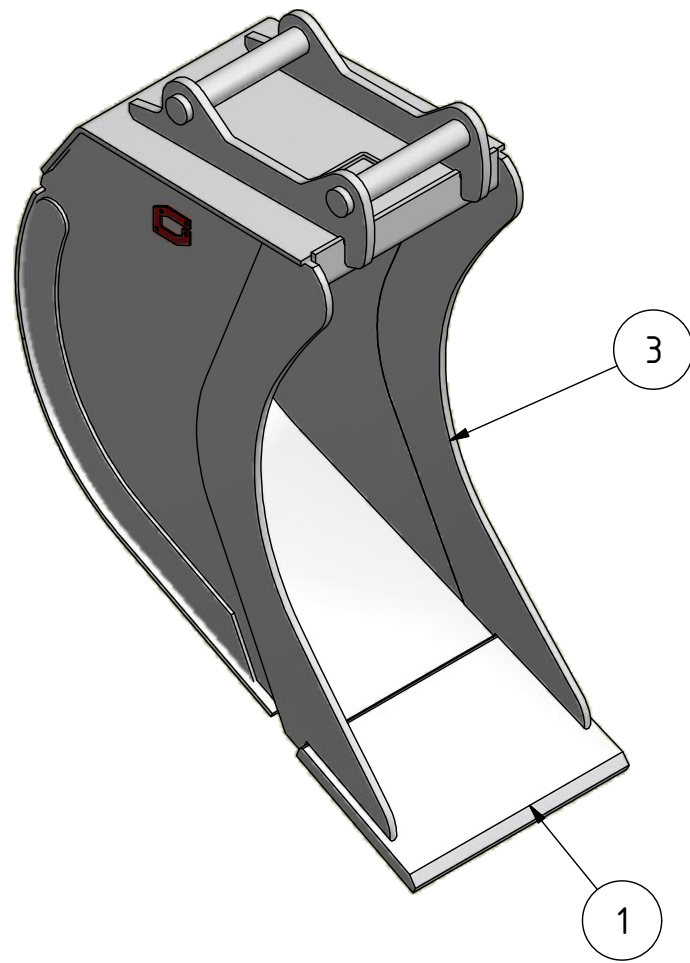
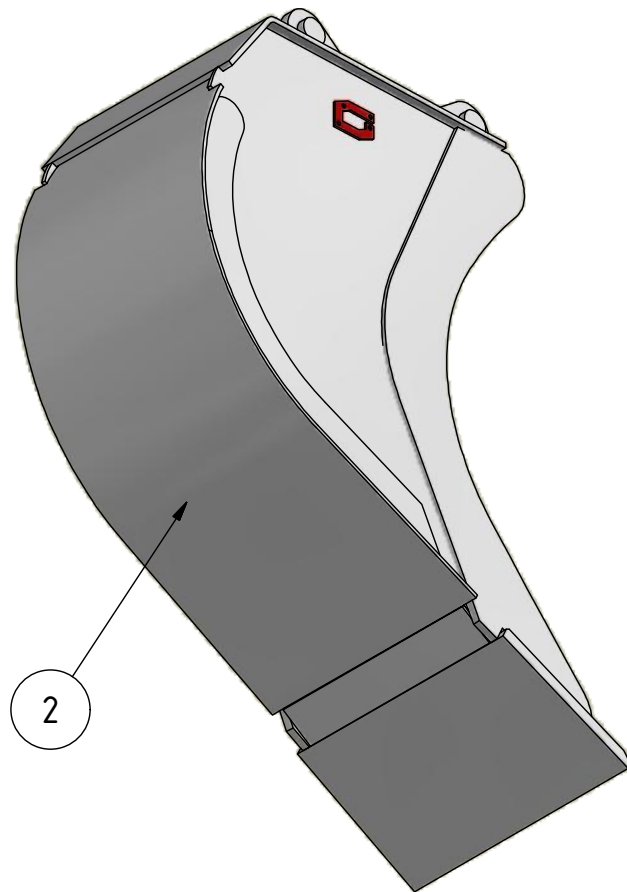


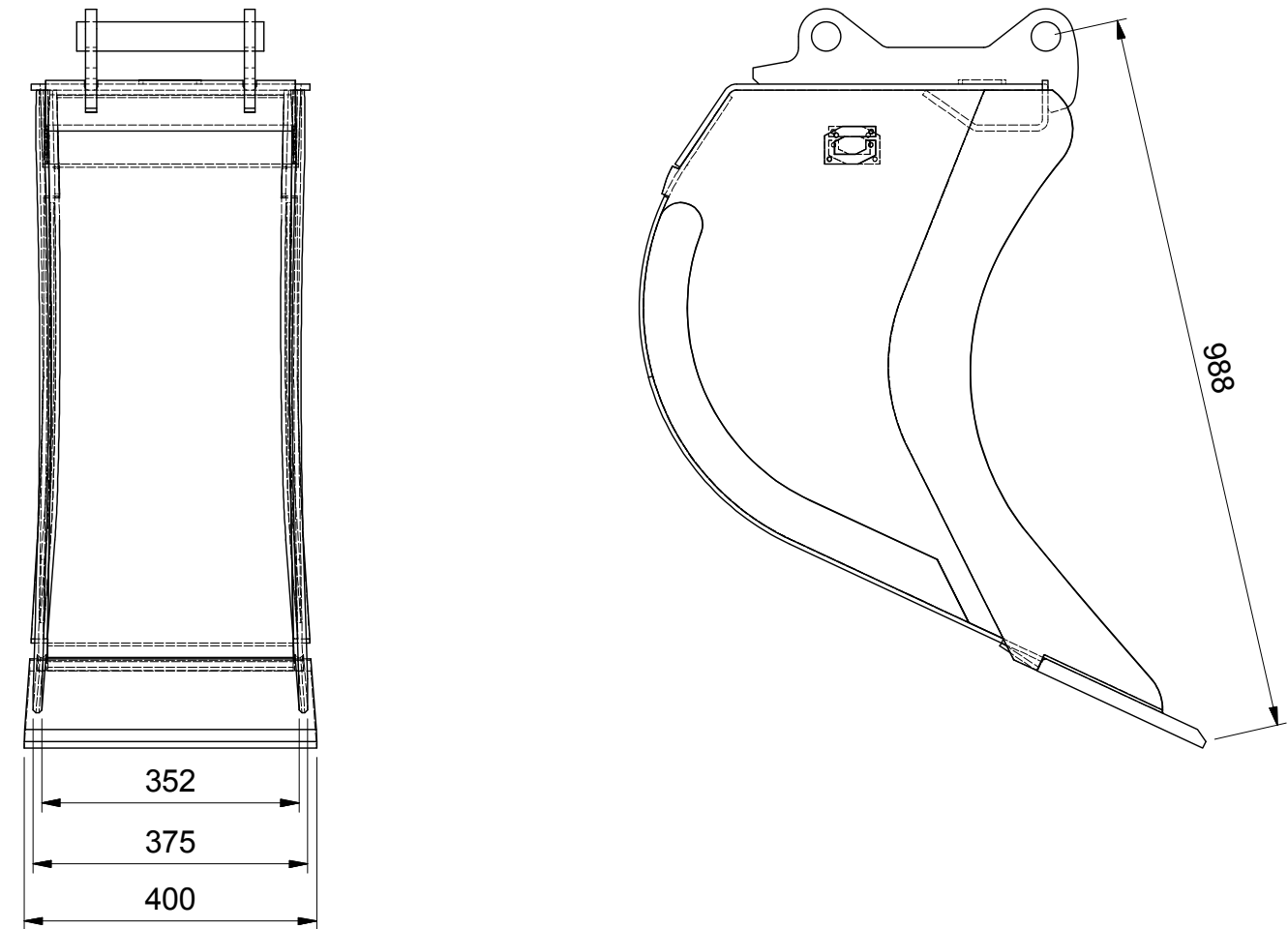
VIEW8 (1 : 10)



VIEW9 (1 : 10)



VIEW6 (1 : 10)



Recommended machine weight: 5-6 T

| SPECIFICATION | | | |
|---------------|--------------|----------|------------------|
| POS | TITLE | MATERIAL | DESCRIPTION |
| 1. | FRONT EDGE | HB450 | 400 x 250 x 20mm |
| 2. | BOTTOM PLATE | HB450 | 6mm |
| 3. | SIDE MEMBER | HB450 | 12mm |
| 4. | | | |
| 5. | | | |
| 6. | | | |

GENERAL TOLERANCES
For non tolerance measurements

Denne tegning og konstruksjon er vår eiendom, og tillates IKKE kopiert eller benyttet uten vår tillatelse.
Overtredelse vil kunne medføre straff og/eller erstatningsansvar i henhold til gjeldende lov.
This drawing and design is our property, and NOT allowed copied or used without our permission.
Any misuse can lead to prosecution and/or liability for compensation according to law.

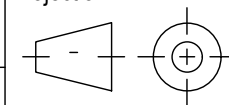
MACHINED PARTS:
NS-ISO 2768-1
Grade: m

GJERSTAD STD DITCH BUCKET 155L S40

Scale:

A3

Projection:



Date : 21-Apr-15

Draw.: PR

Contr.:

WELDED CONSTRUCTIONS:
NS-EN ISO 13920
1. Linear measurements class: A
2. Angle measurements class: B
3. Straightness etc. class: F



Gjerstad Engineering AS
Brokelandsheia, N-4993 sundebru
www.gjerstad.com

Draw.no.:

GE3274-SALE

Total weight: 107 kg

Revision: