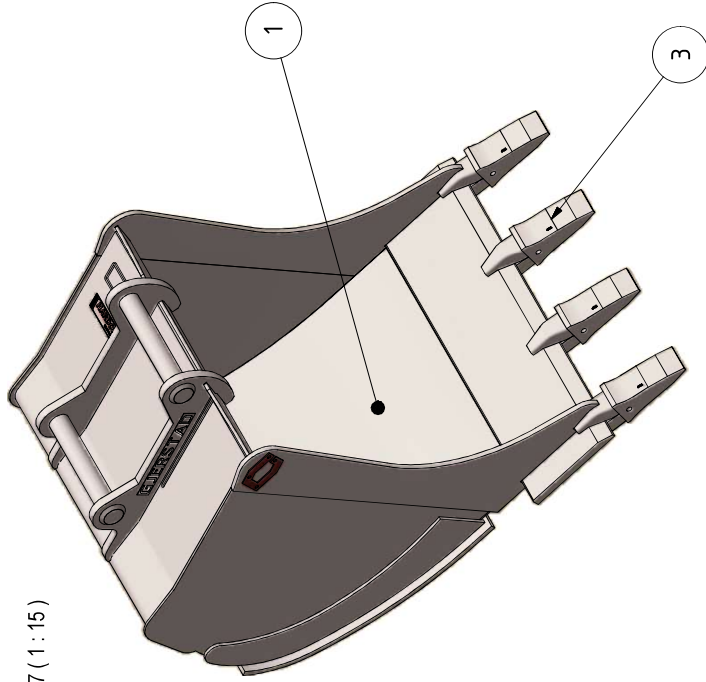
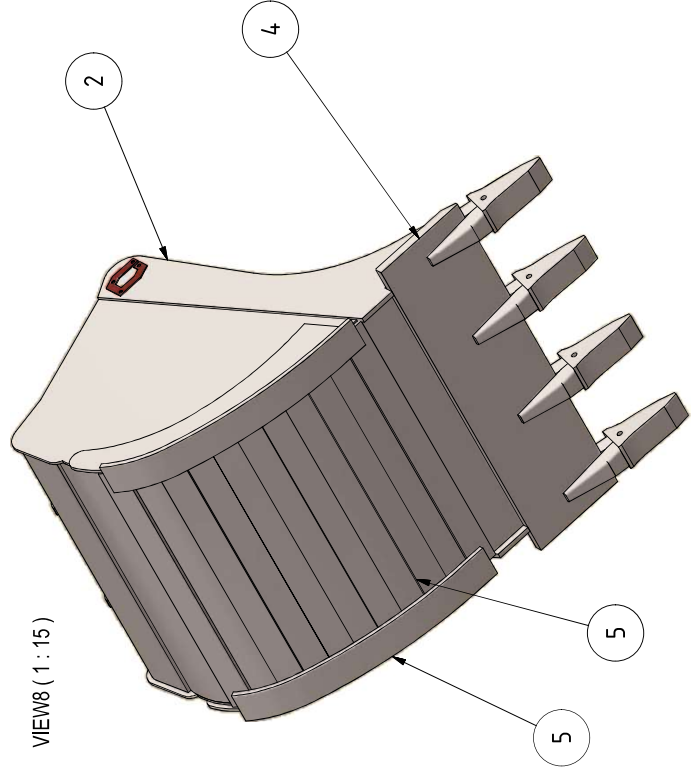


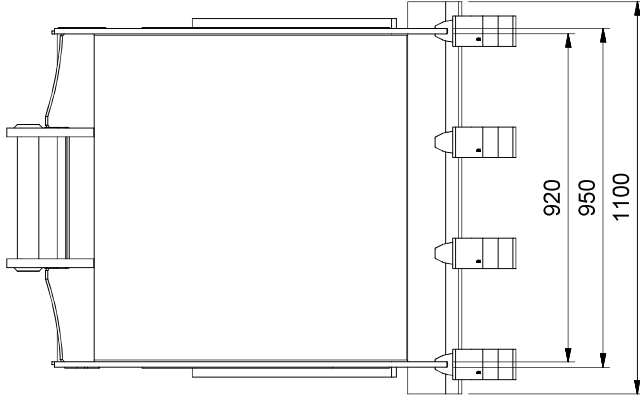
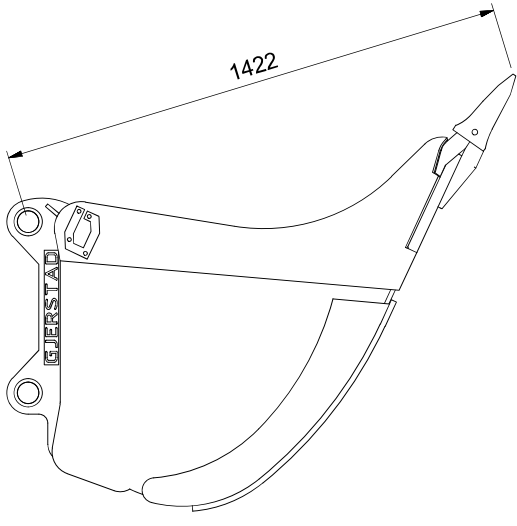
VIEW7 (1 : 15)



VIEW8 (1 : 15)



VIEW5 (1 : 15)



Recommended machine weight: 12-16 T

SPECIFICATION

POS	TITLE	MATERIAL	DESCRIPTION
1.	BOTTOM PLATE	HARDOX 450	8mm
2.	SIDE MEMBER	HARDOX 500	15mm
3.	GET	CAT	J300
4.	FRONT EDGE	HARDOX 450	30x300x1100mm
5.	WEAR STRIPS	HARDOX 500	12 + 15mm
6.			

This drawing and design is our property, and NOT allowed copied or used without our permission. Any misuse can lead to prosecution and/or liability for compensation according to law.

SURFACE TREATMENT ACCORDING TO: PT7A1

UNLESS OTHERWISE SPECIFIED DIMENSIONS ARE IN mm.

Projection:

Scale: 1:15

Draw.no.: KA

Date: 14.03.2016

Confr.:

G HD DIGGING BUCKET 0700L SAE S60
STRAIGHT FRONT 1100mm CAT J300

Draw.no.:

SHEET 1 OF 3



Gjerstad Products AS
Gjerstadveien 373, N-4993 sumdebru
www.gjerstad.com

GE20105

Total weight: 558 kg*

Revision: B