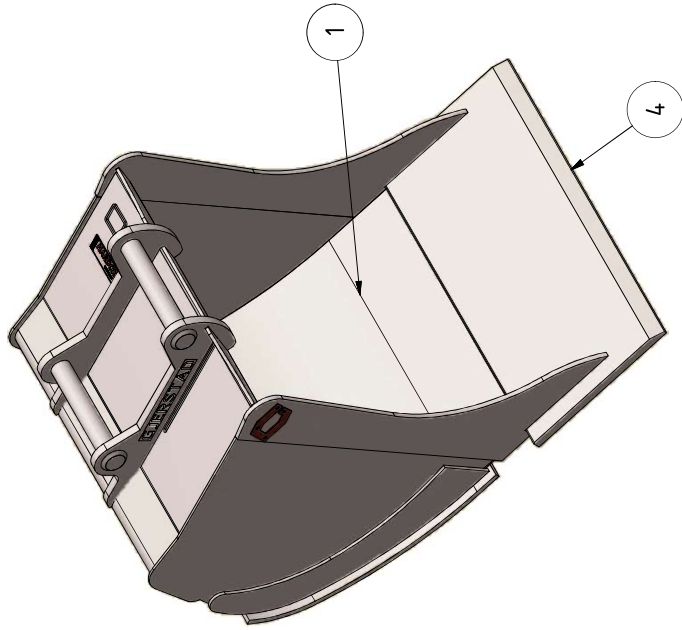
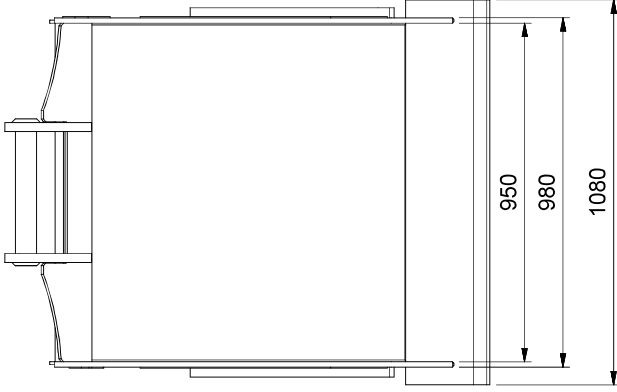
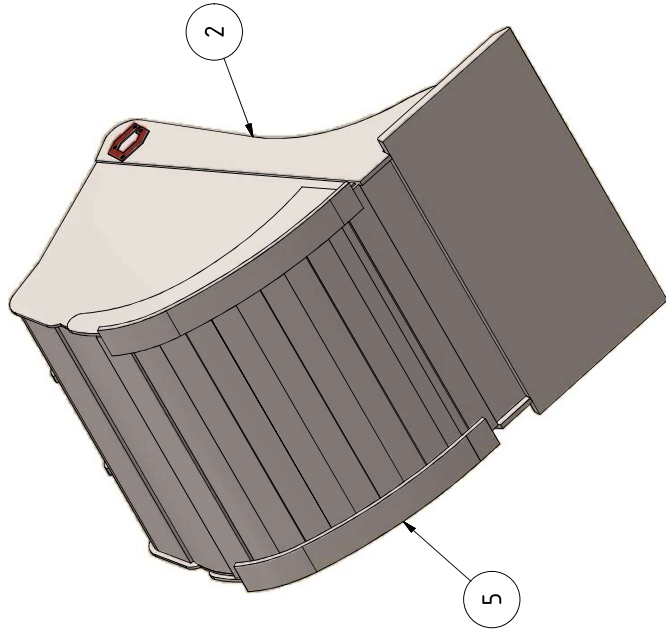


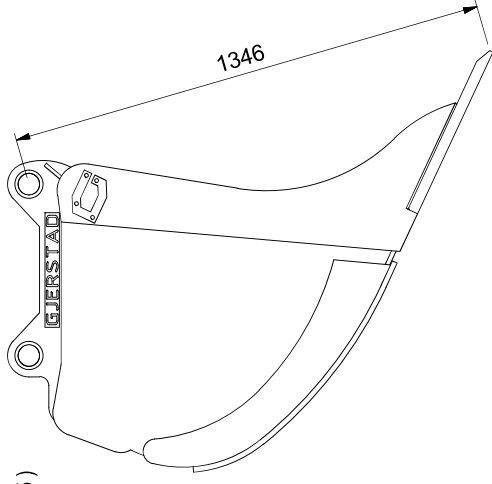
VIEW8 (1 : 15)



VIEW9 (1 : 15)



VIEW6 (1 : 15)



*Recommended machine weight:* 16-18 T

**SPECIFICATION**

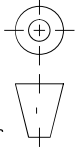
POS	TITLE	MATERIAL	DESCRIPTION
1.	BOTTOM PLATE	HARDOX 450	8mm
2.	SIDE MEMBER	HARDOX 500	15mm
3.	FRONT EDGE	HARDOX 450	30x500x1080mm
4.	WEAR STRIPS	HARDOX 500	15mm
5.			
6.			

This drawing and design is our property, and NOT allowed copied or used without our permission. Any misuse can lead to prosecution and/or liability for compensation according to law.

SURFACE TREATMENT ACCORDING TO: PT7.01

UNLESS OTHERWISE SPECIFIED DIMENSIONS ARE IN mm.

G HD DIGGING BUCKET 0800L SAE S60  
STRAIGHT FRONT 1080mm W/O TEETH

Scale: A3  
Projection: 

SHEET 1 OF 3  
Date: 01.07.2016  
Draw.: PL  
Contr.:

Draw.no.:



**Gjerstad Products AS**  
Gjerstadveien 373, N-4993 sumdebru  
www.gjerstad.com

**GE20150**

Total weight: 547 kg\*

Revision: A