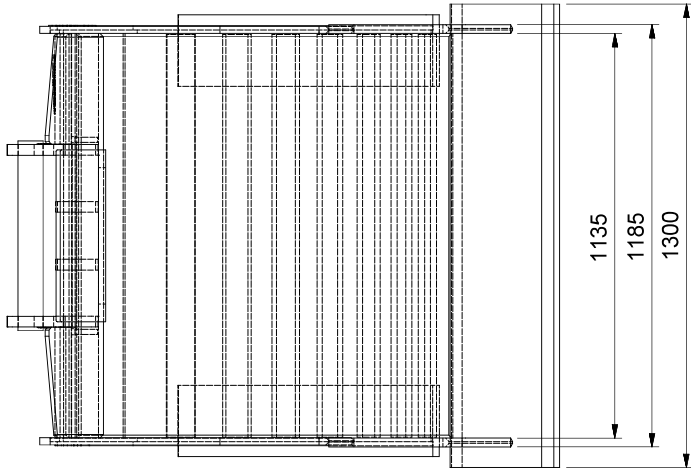
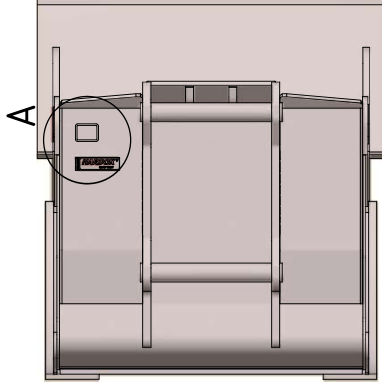
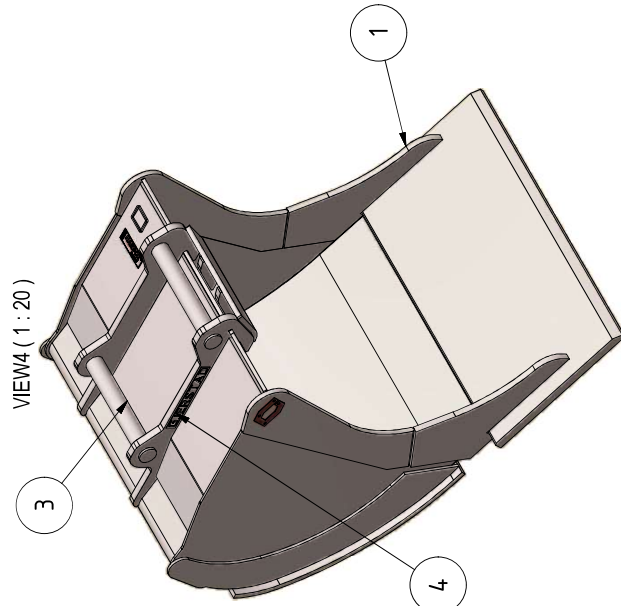
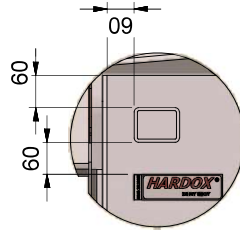


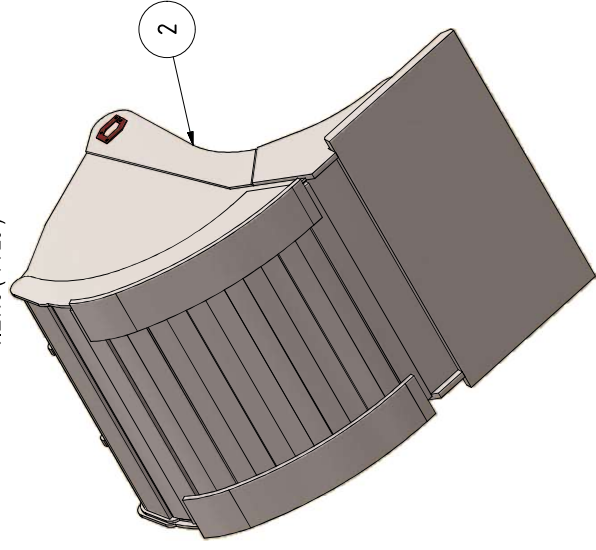
VIEW3 (1:20)



A (1:10)



VIEW5 (1:20)



B	P4036110; P4036111	PL	29.03.17	Rev. by	Date	Approved by:
Rev. Description						

Pos Ant.	Varenummer	TL2	MATERIAL	DESCRIPTION	Vekt	RE
1	P4085367	FRONT EDGE W/O TEETH ASSEMBLY			307 kg	A
2	P4036110	BUCKET BODY 1150L HD			755 kg	C
3	P4036111	S70 LUG 1000-1350L			103 kg	C
4	GJERSTAD STICKER 3	GJERSTAD STICKER 3			-	-

<p>GENERAL TOLERANCES For non tolerance measurements</p> <p>Linear Dim. XX = +/- 0,20 XXX = +/- 0,30 XXXX = +/- 0,40 Angles = 5°</p>		<p>SURFACE TREATMENT ACCORDING TO: P17,01</p> <p>UNLESS OTHERWISE SPECIFIED DIMENSIONS ARE IN mm</p>
<p>MACHINED PARTS: NS-ISO 2768-1 Grade: m</p>		<p>SHEET 1 OF 3</p>
<p>WELDED CONSTRUCTIONS: NS-EN ISO 13920 1. Angle measurements class: A 2. Angle measurements class: B 3. Straightness etc. class: F</p>		<p>Projection: Scale: 14.11.2016 Draw.: KA Contr.: PL</p>
<p>G HD DIGGING BUCKET 1150L SAE S70 STRAIGHT FRONT 1300mm W/O TEETH</p>		<p>Draw.no.:</p>

<p>Gjerstad Products AS Gjerstadsleien 373, N-4993 sumdebru www.gjerstad.com</p>		<p>GE20300</p>
<p>Total weight: 1200 kg*</p>		<p>Revision: B</p>