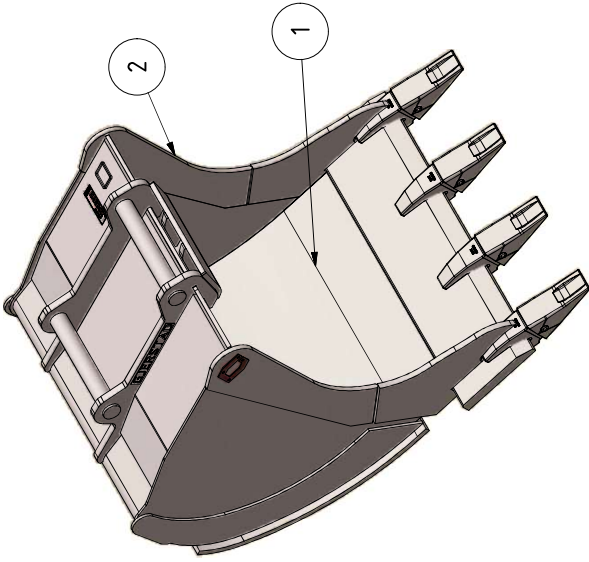
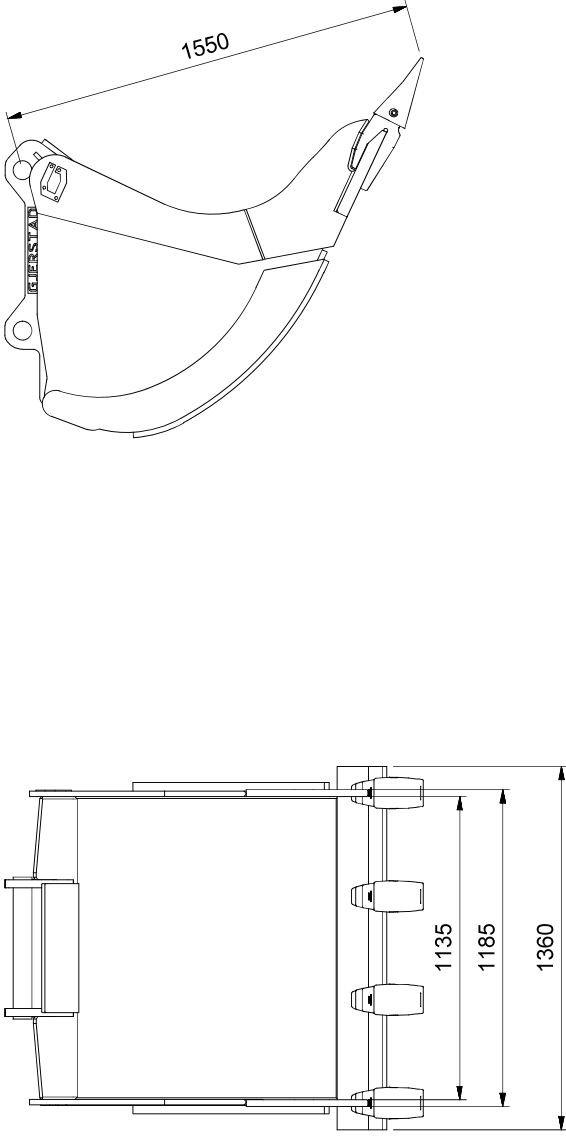


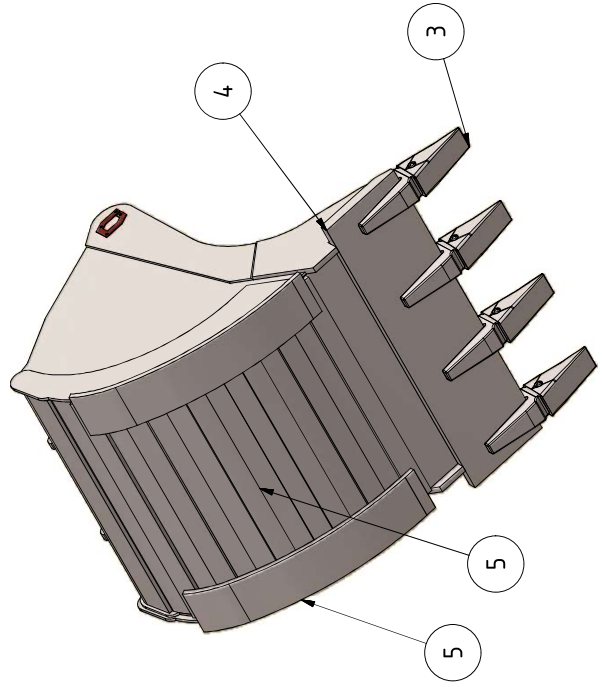
VIEW8 (1 : 20)



VIEW6 (1 : 20)



VIEW9 (1 : 20)



Recommended machine weight: 20-23 T

SPECIFICATION

POS	TITLE	MATERIAL	DESCRIPTION
1.	BOTTOM PLATE	HARDOX 450	12mm
2.	SIDE MEMBER	HARDOX 500	20mm
3.	GET	J400USCO	
4.	FRONT EDGE	HARDOX 450	45x350x1360mm
5.	WEAR STRIP	HARDOX 500	20mm
6.			

This drawing and design is our property, and NOT allowed copied or used without our permission. Any misuse can lead to prosecution and/or liability for compensation according to law.

SURFACE TREATMENT ACCORDING TO PT7.01

UNLESS OTHERWISE SPECIFIED DIMENSIONS ARE IN mm.

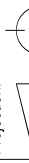
SHEET 1 OF 3

Date: 30.08.2016

Draw.: SA

Confr.:

Projection:



Scale:

A3

G HD DIGGING BUCKET 1150L SAE S70
STRAIGHT FRONT 1360mm CAT J400 USCO

Draw.no.:

Gjerstad Products AS
Gjerstadien 373, N-4993 sumdebru
www.gjerstad.com



GE20305

Total weight: 1192 kg*

Revision: B