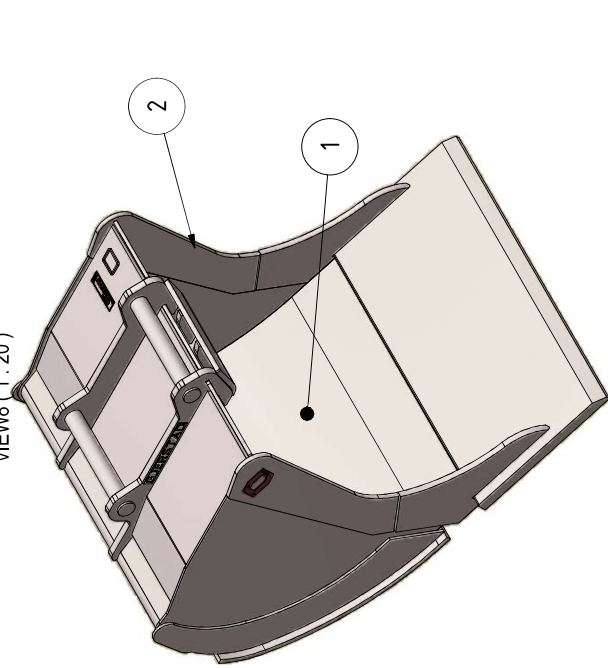
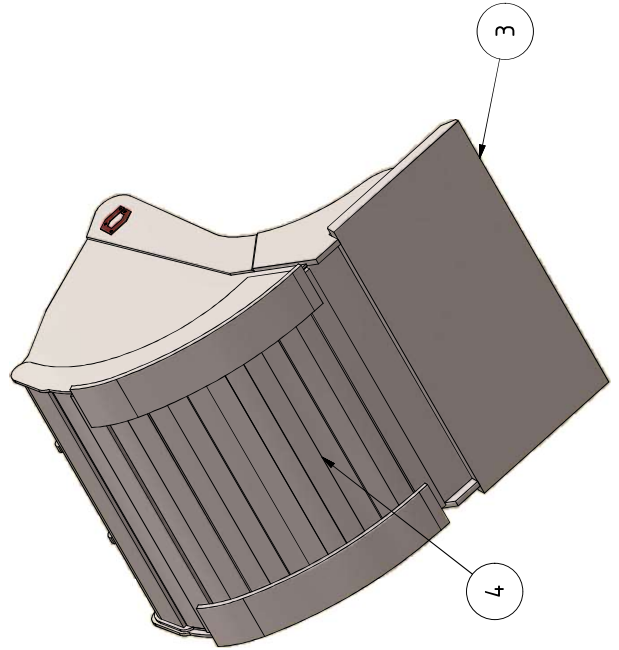


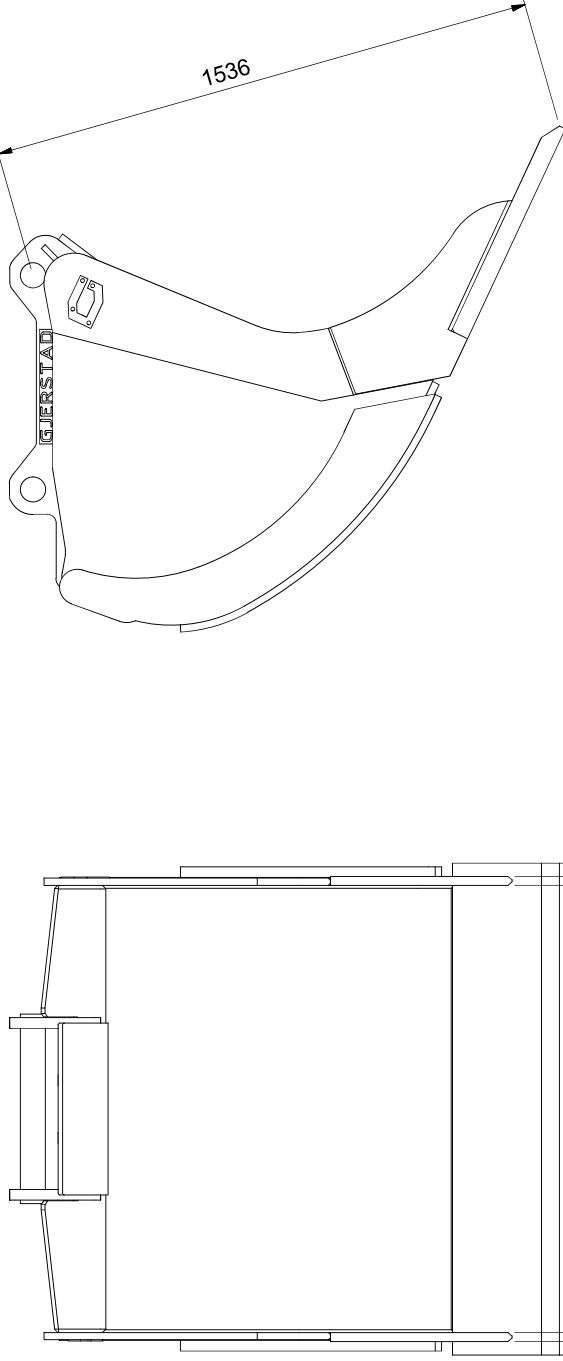
VIEW8 ( 1 : 20 )



VIEW9 ( 1 : 20 )



VIEW6 ( 1 : 15 )



*Recommended machine weight:* 20-25 T

**SPECIFICATION**

POS	TITLE	MATERIAL	DESCRIPTION
1.	BOTTOM PLATE	HARDOX 450	12mm
2.	SIDE MEMBER	HARDOX 500	20mm
3.	FRONT EDGE	HARDOX 450	50x650x1380mm
4.	WEAR STRIP	HARDOX 500	20mm
5.			
6.			

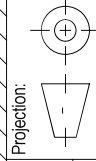
This drawing and design is our property, and NOT allowed copied or used without our permission. Any misuse can lead to prosecution and/or liability for compensation according to law.

SURFACE TREATMENT ACCORDING TO: PT7.01

UNLESS OTHERWISE SPECIFIED DIMENSIONS ARE IN mm.

SHEET 1 OF 3

Date: 13.09.2016  
 Draw.: SA  
 Contr.:



Scale:

A3

G HD DIGGING BUCKET 1350L SAE S70  
 STRAIGHT FRONT 1380mm W/O TEETH

Draw.no.:

**Gjerstad Products AS**  
 Gjerstadveien 373, N-4993 sumdebru  
 www.gjerstad.com



**GE20400**

Total weight: 1350 kg\*

Revision: A