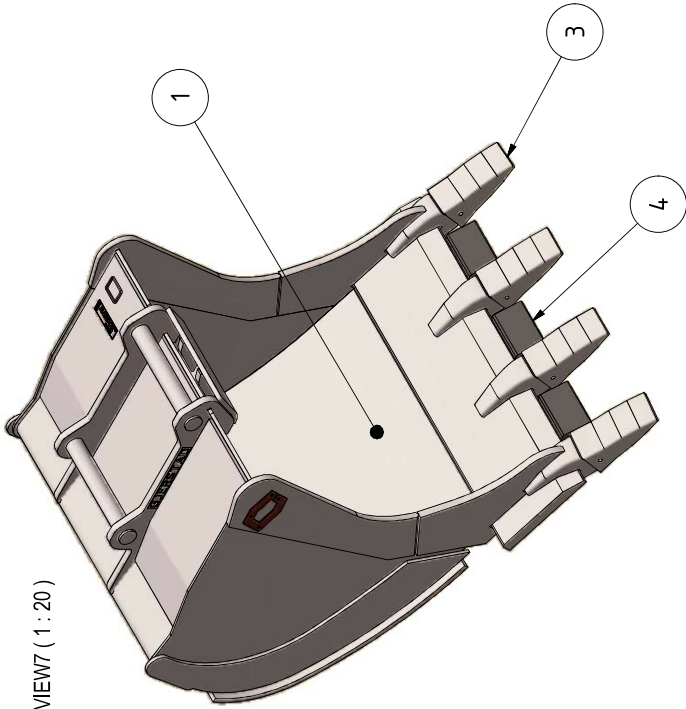
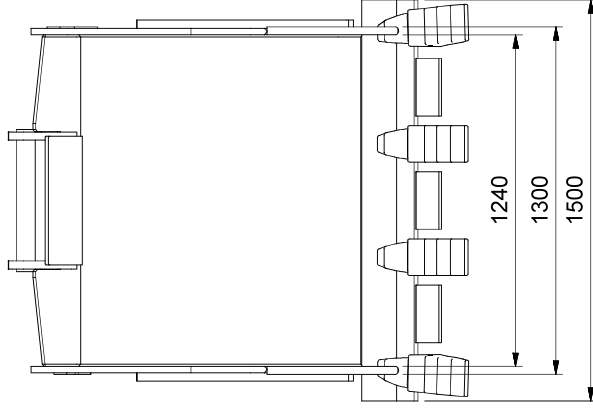
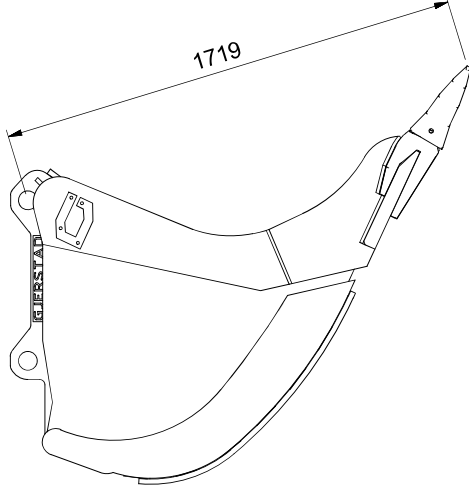


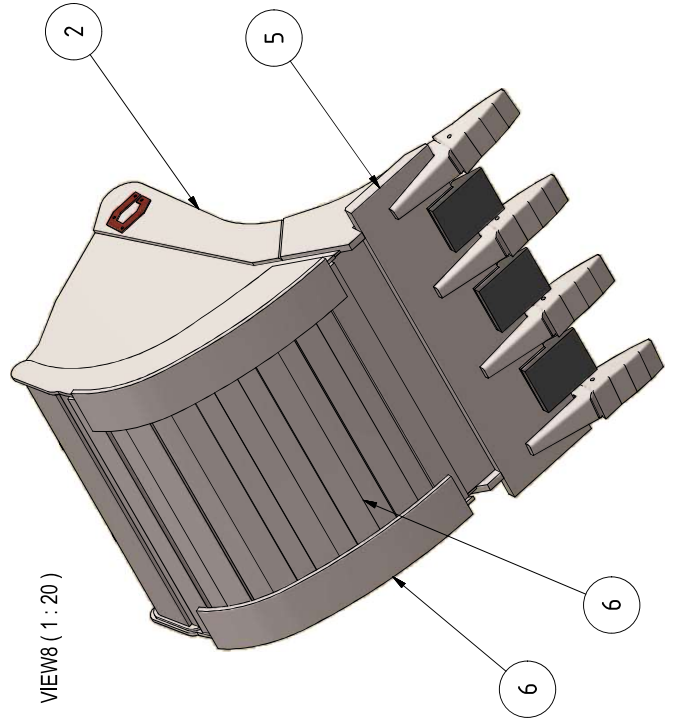
VIEW7 (1 : 20)



VIEW5 (1 : 20)



VIEW8 (1 : 20)



Recommended machine weight: 26-32 T

SPECIFICATION

POS	TITLE	MATERIAL	DESCRIPTION
1.	BUNN / BOTTOM PLATE	HARDOX 450	12mm
2.	SIDEKNIV / UPPER PART	HARDOX 500	25mm
3.	TANNSYSTEM / GET	CAT	J460
4.	SEGMENTER / HA	PROFILE STEEL	29x254mm
5.	KNIV / FRONT EDGE	HARDOX 450	50x400x1500mm
6.	SLITERIBBER / WEAR STRIPS	HARDOX 500	20mm

This drawing and design is our property, and NOT allowed copied or used without our permission. Any misuse can lead to prosecution and/or liability for compensation according to law.

SURFACE TREATMENT ACCORDING TO PT7.01

UNLESS OTHERWISE SPECIFIED DIMENSIONS ARE IN mm.

SHEET 1 OF 3

Scale: 1:20
A3
Projection:

Date: 02.08.2016
Draw.: KA
Contrt.:

G HD DIGGING BUCKET 1500L SAE S70
STRAIGHT FRONT 1500mm CAT J460 & HA

Draw.no.:

Gjerstad Products AS
Gjerstadveien 373, N-4993 sumdebru
www.gjerstad.com



GE20455

Total weight: 1580 kg*

Revision: A