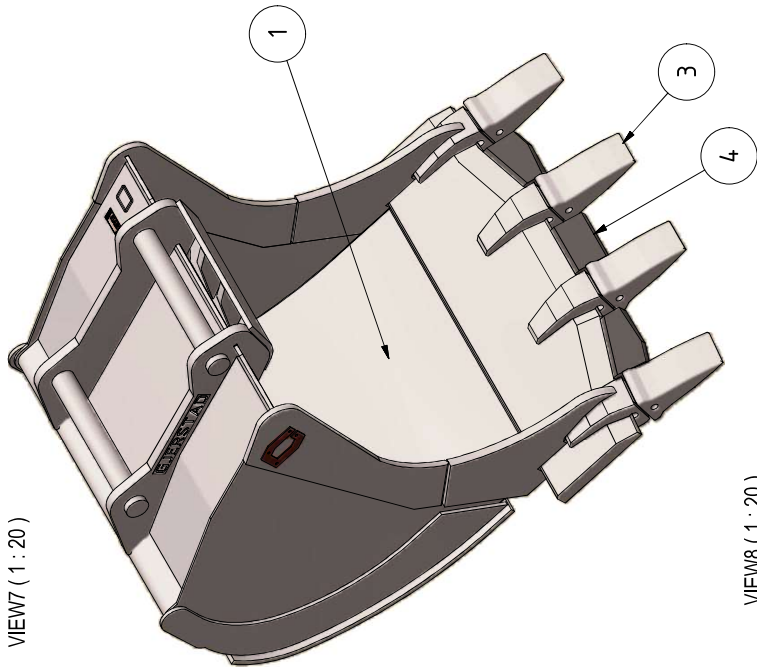
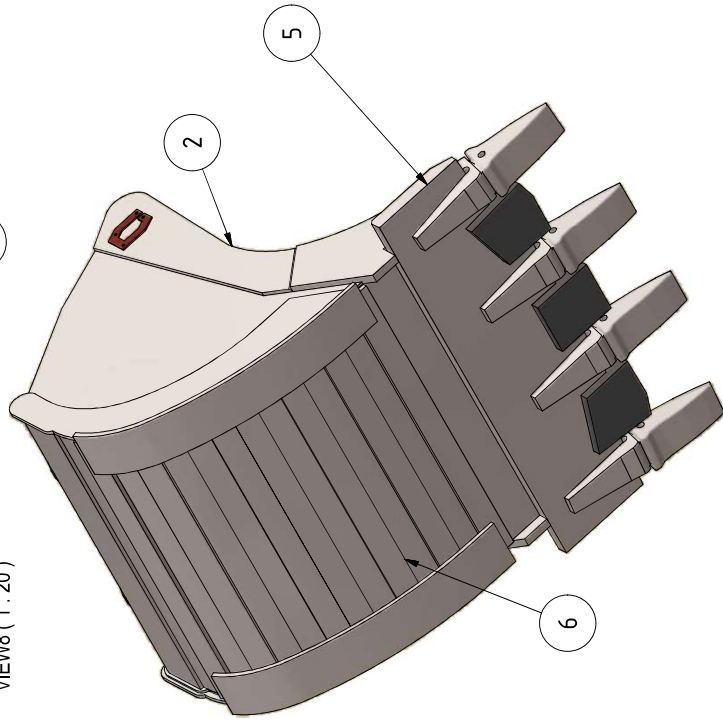


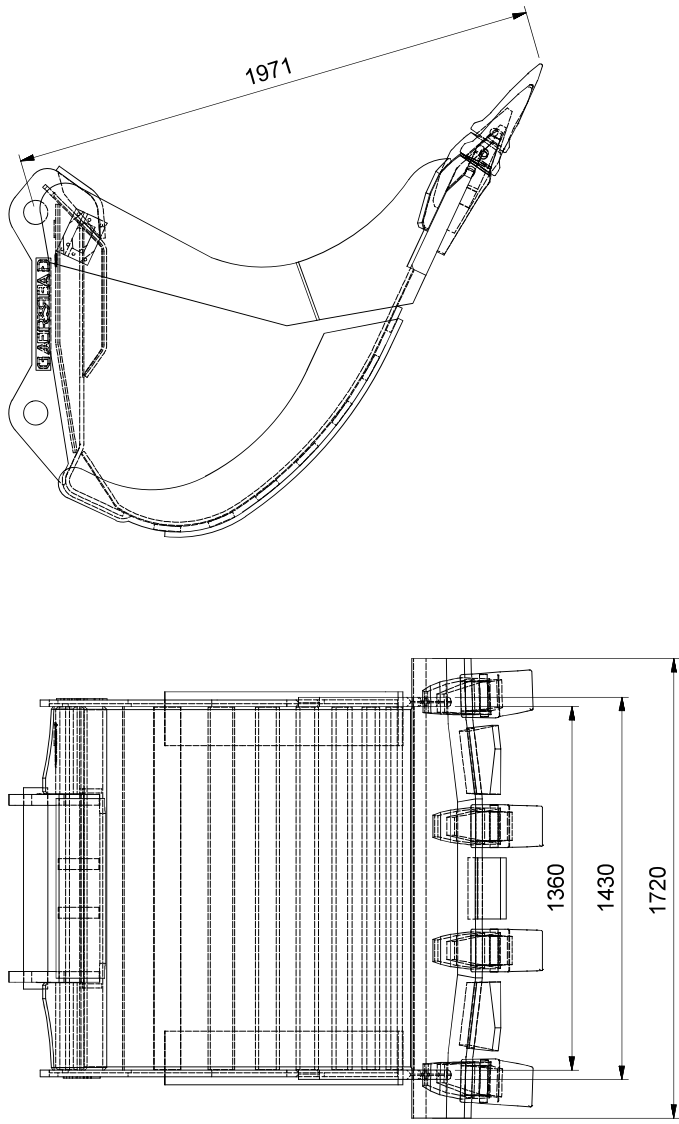
VIEW7 (1 : 20)



VIEW8 (1 : 20)



VIEW5 (1 : 20)



Recommended machine weight: 32-40T

SPECIFICATION

POS	TITLE	MATERIAL	DESCRIPTION
1.	BUNN / BOTTOM PLATE	HARDOX 450	15mm
2.	SIDEKNIV / UPPER PART	HARDOX 500	25mm
3.	TANNSYSTEM / GET	CAT	J550 CAPSURE LOCK
4.	SEGMENTER / HA	PROFILE STEEL	40x25-4mm
5.	KNIV / FRONT EDGE	HARDOX 450	63x4-00/500x1720mm
6.	SLITERIBBER / WEAR STRIPS	HARDOX 500	20mm

GENERAL TOLERANCES
For non tolerance measurements

MACHINED PARTS:
NS-ISO 7168-1
Grade: m

WELDED CONSTRUCTIONS:
NS-EN ISO 13920
1. Angle measurements class: A
2. Angle measurements class: B
3. Straightness etc. class: F

Denne tegning og konstruktion er vår eiendom, og tillegges IKKE kopiert eller benyttes uten vårt tillatelse. Overtrødelse vil kunne medføre straff og/eller erstatningsansvar i henhold til gjeldende lov. This drawing and design is our property, and NOT allowed copied or used without our permission. Any misuse can lead to prosecution and/or liability for compensation according to law.

GJERSTAD HD BUCKET 2000L G90
SEMI DELTA EDGE CAT J550CSL & HA

Gjerstad Engineering AS
Brokelandsheia, N-4993 sundebru
www.gjerstad.com



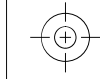
Draw.no.:

GE20655

Total weight: 2270 kg*

Revision: A

Projection:



Scale:

1:20

Date:

01.02.2017

Draw.:

KA

Contr.:

PL