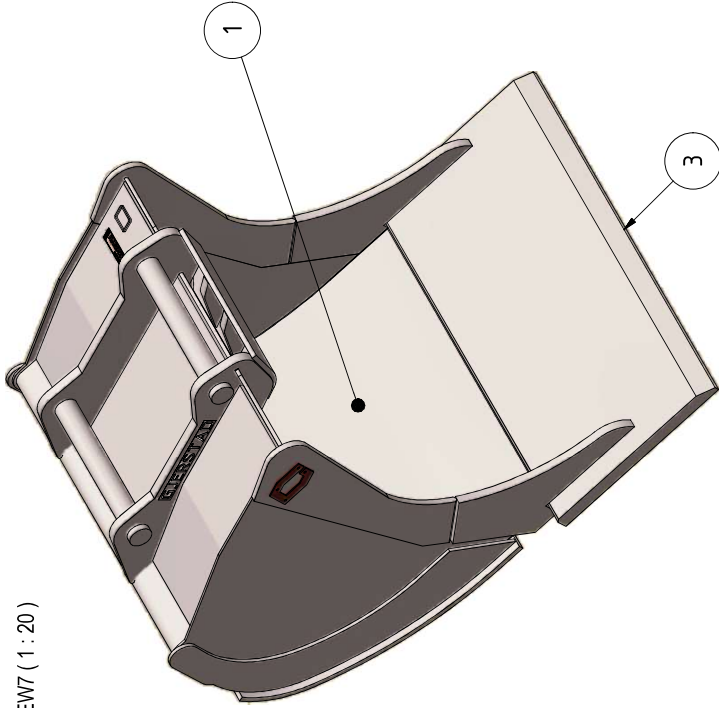
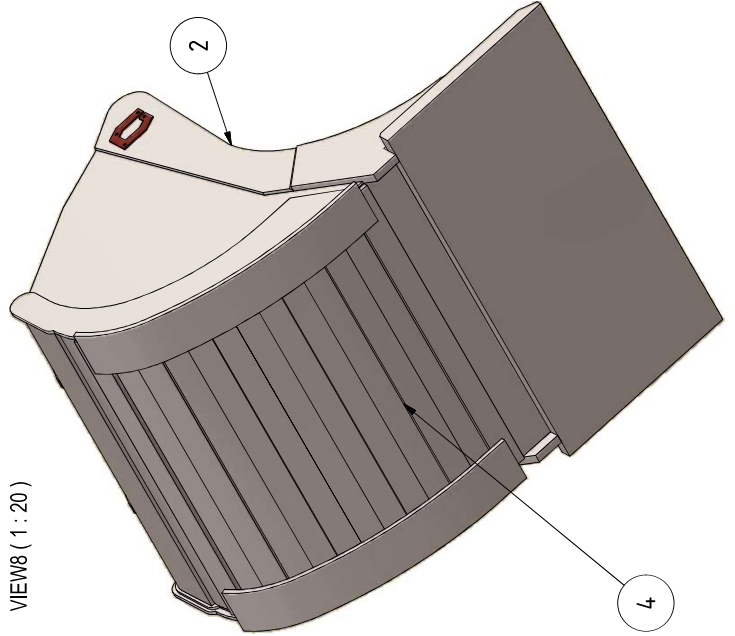


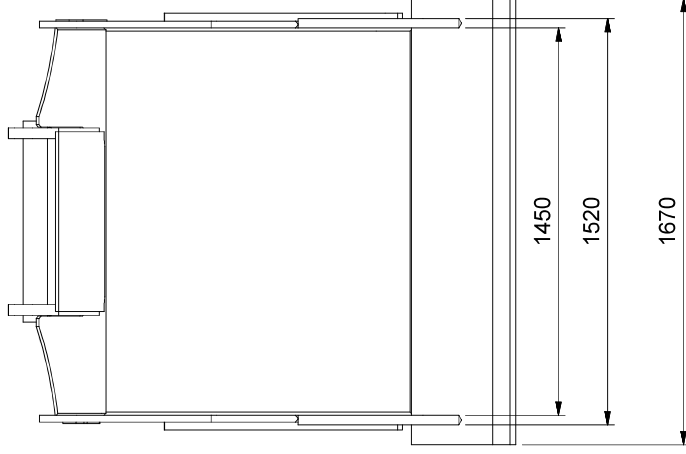
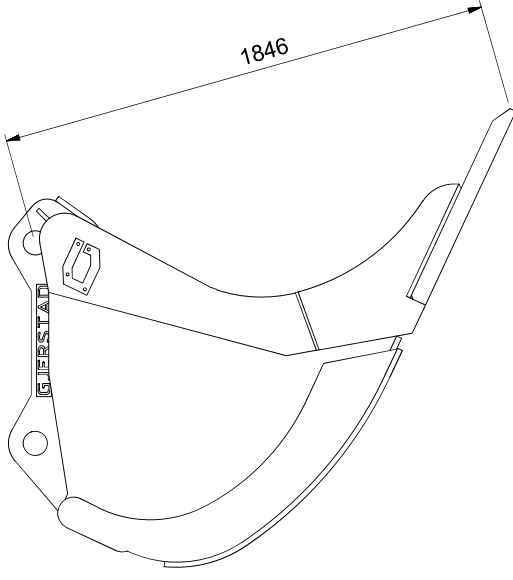
VIEW7 (1 : 20)



VIEW8 (1 : 20)



VIEW5 (1 : 20)



Recommended machine weight: 30-40 T

SPECIFICATION

POS	TITLE	MATERIAL	DESCRIPTION
1.	BOTTOM PLATE	HARDOX 450	15mm
2.	UPPER PART	HARDOX 500	25mm
3.	FRONT EDGE	HARDOX 450	63x800x1670mm
4.	WEAR STRIPS	HARDOX 500	20mm
5.			
6.			

This drawing and design is our property, and NOT allowed copied or used without our permission. Any misuse can lead to prosecution and/or liability for compensation according to law.

SURFACE TREATMENT ACCORDING TO: PT1.01
UNLESS OTHERWISE SPECIFIED DIMENSIONS ARE IN mm.

SHEET 1 OF 3

G HD DIGGING BUCKET 2200L SAE G90 STRAIGHT FRONT 1670mm W/O TEETH		Date: 06.01.2016
Scale: 1:25	Projection:	Draw.: K.A
A3		Contrt.:

Draw.no.:

GE20700

Gjerstad Products AS
Gjerstadvæien 373, N-4993 sumdebru
www.gjerstad.com



Total weight: 2292 kg*

Revision: A