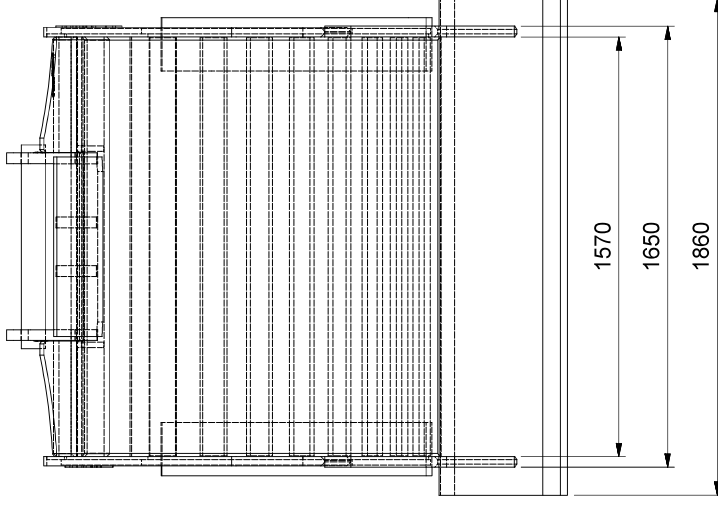
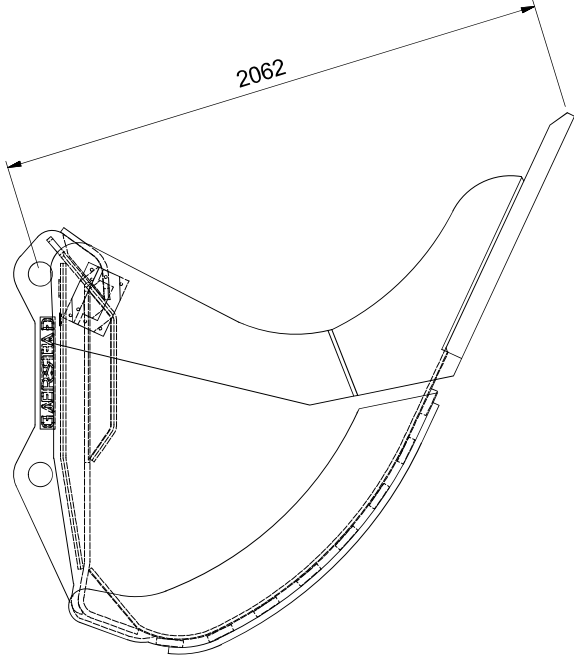
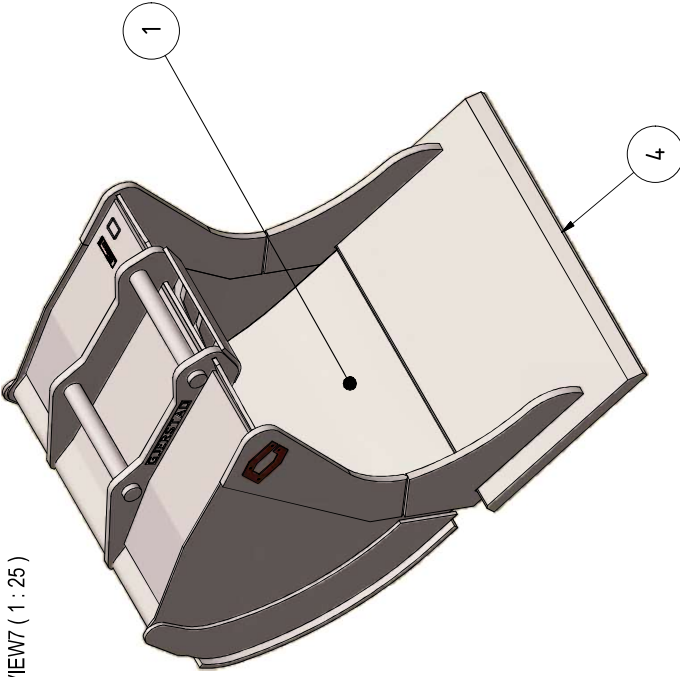


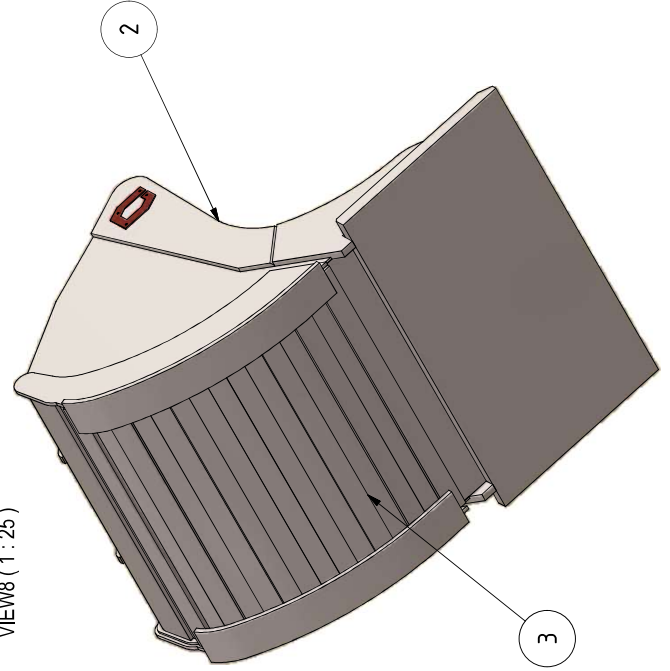
VIEW5 (1 : 20)



VIEW7 (1 : 25)



VIEW8 (1 : 25)



Recommended machine weight: 40-55 T

SPECIFICATION

POS	TITLE	MATERIAL	DESCRIPTION
1.	BUNN / BOTTOM PLATE	HARDOX 450	15mm
2.	SIDEKNIV / UPPER PART	HARDOX 500	35mm
3.	SLITERIBBER / WEAR STRIPS	HARDOX 500	25mm
4.	KNIV / FRONT EDGE	HARDOX 450	70x1000x1860mm
5.			
6.			

This drawing and design is our property, and NOT allowed copied or used without our permission. Any misuse can lead to prosecution and/or liability for compensation according to law.

SURFACE TREATMENT ACCORDING TO PT7.01 UNLESS OTHERWISE SPECIFIED DIMENSIONS ARE IN mm.

SHEET 1 OF 3

Date: 16.05.2017
 Draw.: PL
 Contn.: PL

G HD DIGGING BUCKET 3000L SAE G90
 STRAIGHT FRONT 1860MM W/O TEETH

Draw.no.:

GE20900

Gjerstad Products AS
 Gjerstadveien 373, N-4993 sumdebru
 www.gjerstad.com



Total weight: 3455 Kg*

Revision: