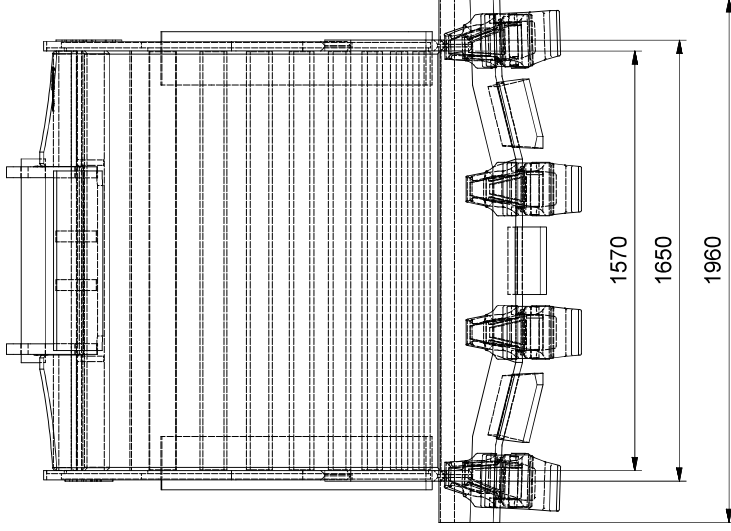
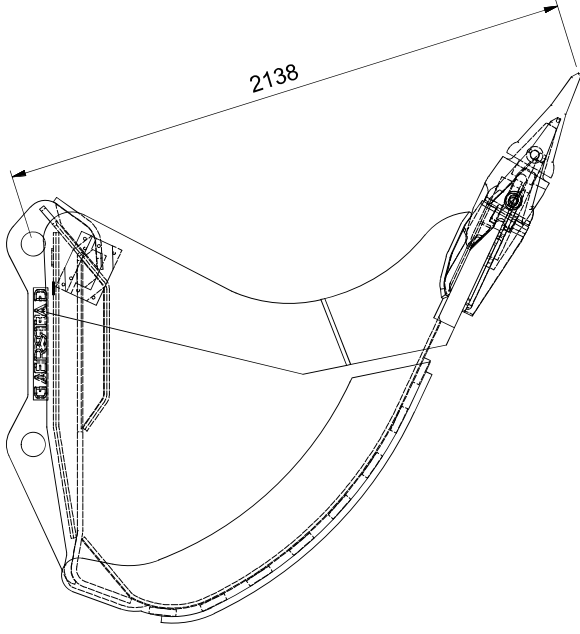
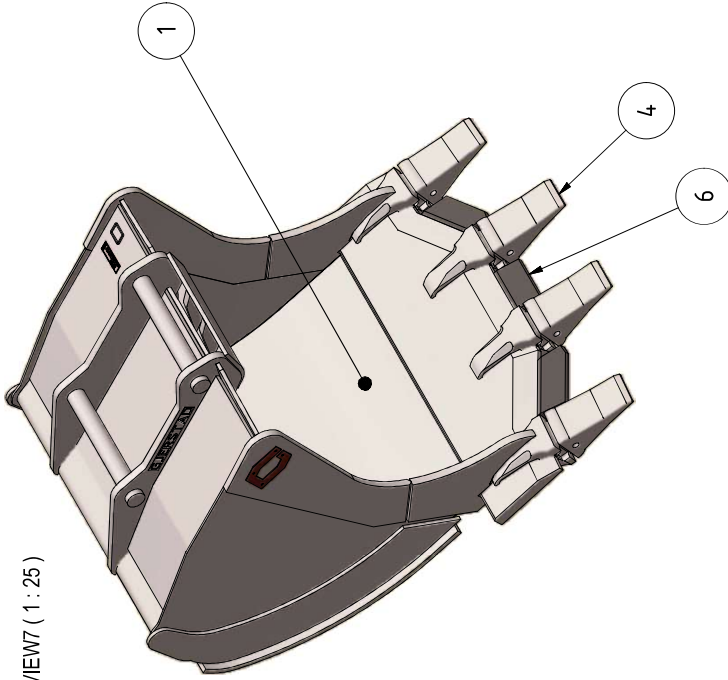


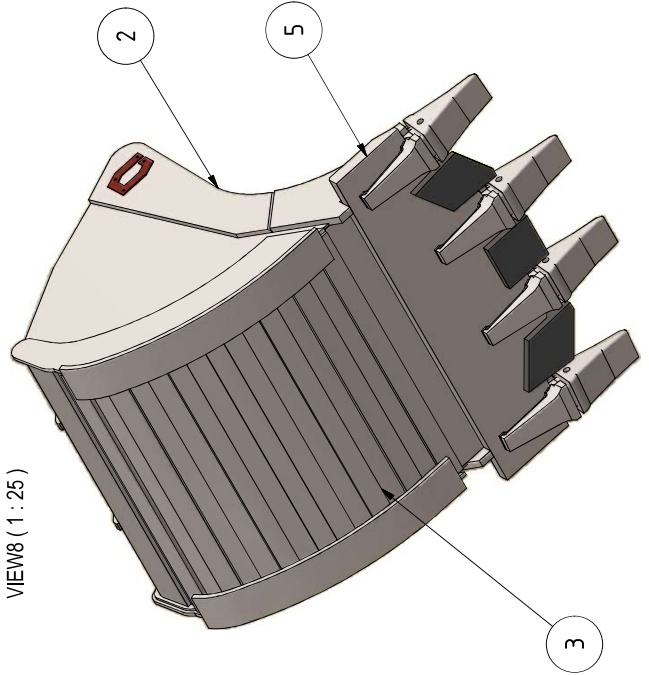
VIEW5 (1 : 20)



VIEW7 (1 : 25)



VIEW8 (1 : 25)



Recommended machine weight: 40-55 T

SPECIFICATION

POS	TITLE	MATERIAL	DESCRIPTION
1.	BOTTOM PLATE	HARDOX 450	15mm
2.	UPPER PART	HARDOX 500	35mm
3.	WEAR STRIPS	HARDOX 500	25mm
4.	GET	CAT	J600CSL
5.	FRONT EDGE	HARDOX 450	70x4.00/600x1960mm
6.	HA	PROFILE STEEL	40x254-mm

This drawing and design is our property, and NOT allowed copied or used without our permission. Any misuse can lead to prosecution and/or liability for compensation according to law.

SURFACE TREATMENT ACCORDING TO PT7.01 UNLESS OTHERWISE SPECIFIED DIMENSIONS ARE IN mm.

G HD DIGGING BUCKET 3000L SAE G90 SEMI DELTA FRONT 1960MM CAT J600CSL & HA		SHEET 1 OF 3	
Scale:	1:20	Date:	13.10.2016
Projection:		Draw.:	PL
	A3	Contr.:	PL

Draw.no.:

GE20905

Gjerstad Products AS
Gjerstadveien 373, N-4993 sumdebru
www.gjerstad.com



Total weight: 3406 kg*

Revision: A