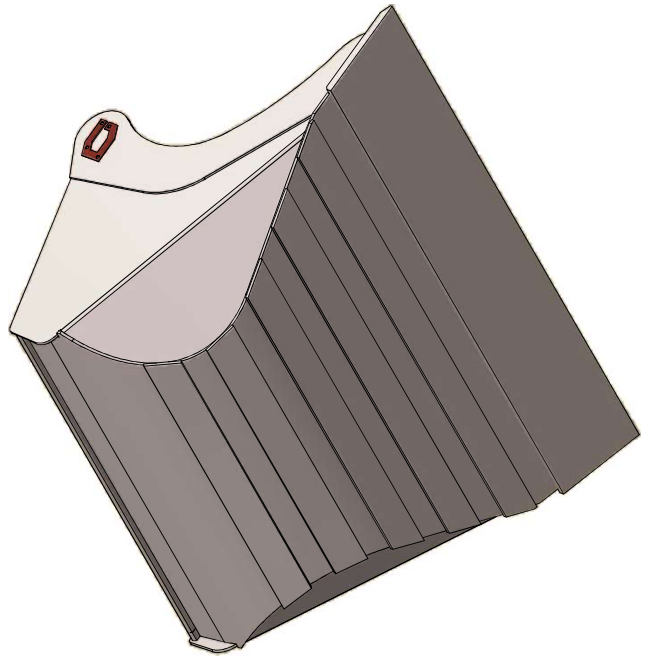
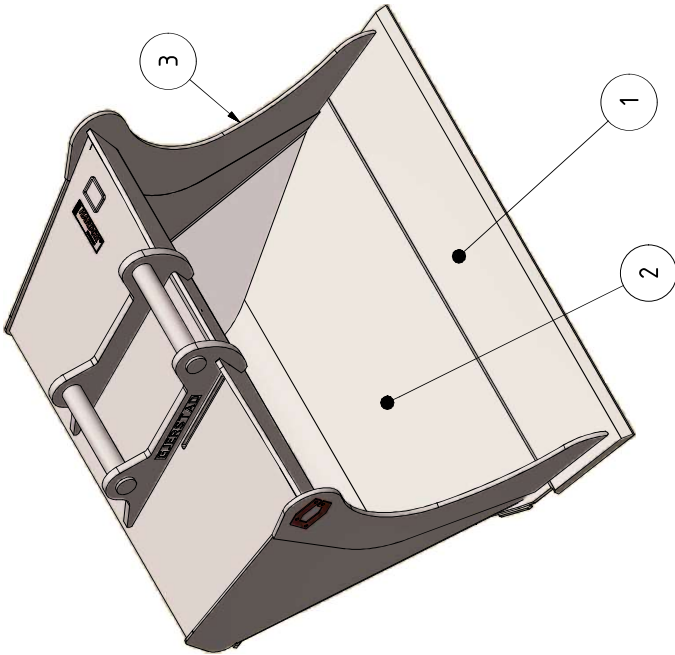
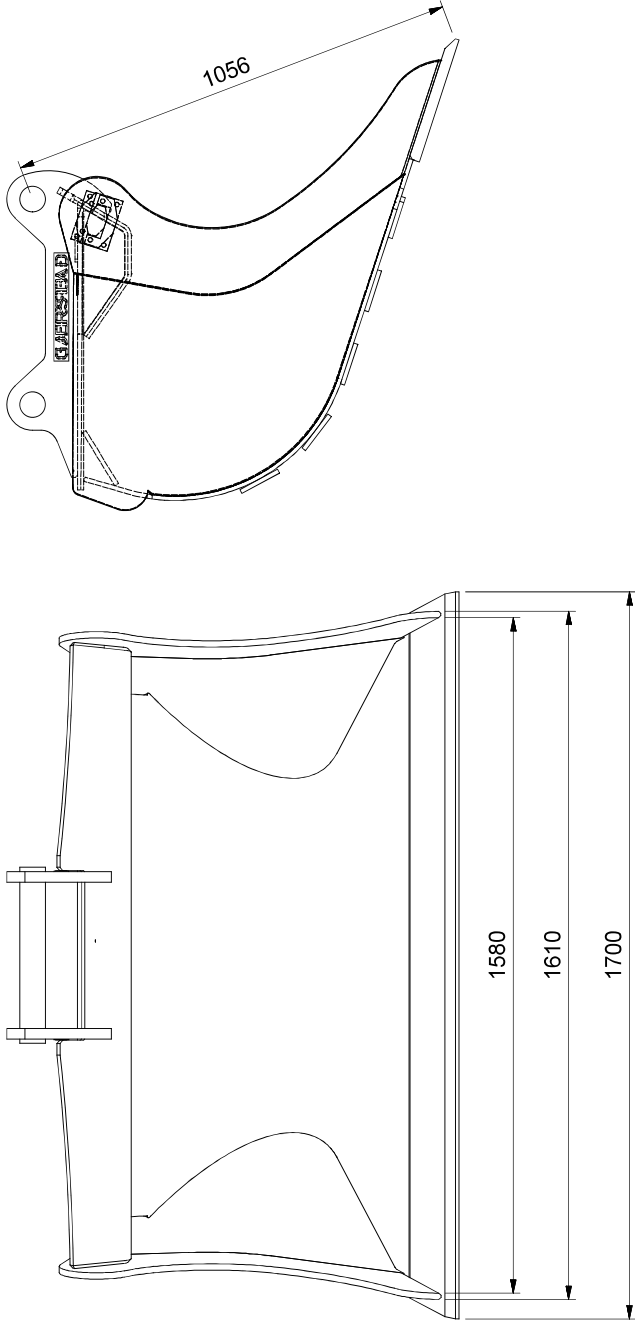


VIEW6 (1 : 12,5)



Recommended machine weight: 14-18 T

SPECIFICATION

POS	TITLE	MATERIAL	DESCRIPTION
1.	FRONT EDGE	HARDOX 500	25x300x1700mm
2.	BOTTOM PLATE	HARDOX 450	10mm
3.	SIDE MEMBER	HARDOX 500	15mm
4.			
5.			
6.			

This drawing and design is our property, and NOT allowed copied or used without our permission. Any misuse can lead to prosecution and/or liability for compensation according to law.

SURFACE TREATMENT ACCORDING TO PT7.01

UNLESS OTHERWISE SPECIFIED DIMENSIONS ARE IN mm.

Scale: A3

Projection:

Date: 01.03.2015

Draw.: PR

Contrt.:

G HD GRADING BUCKET 0800L SAE S60
STRAIGHT FRONT 1700MM

Draw.no.:

Gjerstad Products AS
Gjerstadvæien 373, N-4993 sumdebru
www.gjerstad.com



GE21740

Total weight: 592 kg*

Revision: B