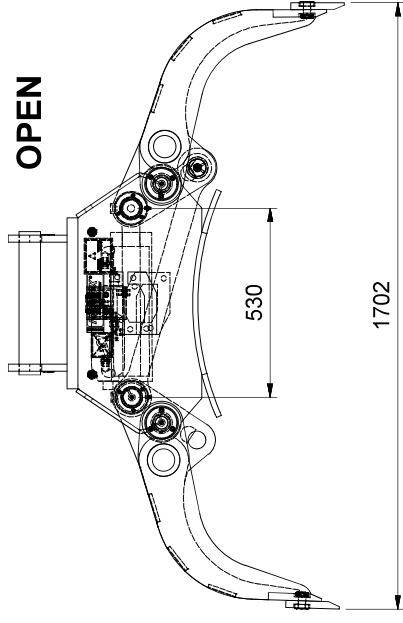
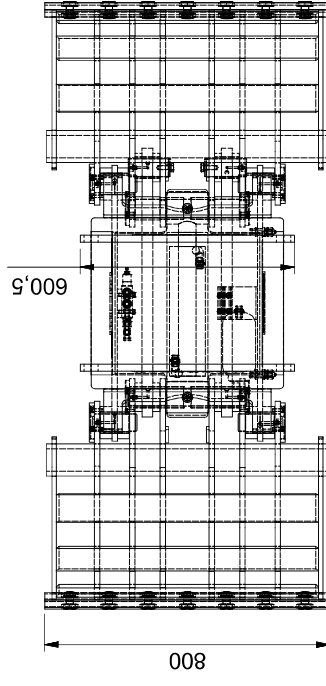
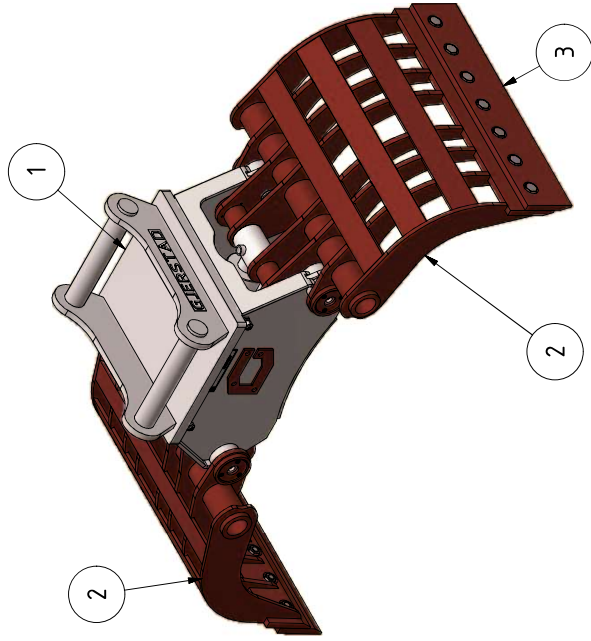


CLOSED



OPEN



Recommended machine weight: 12-18 T

SPECIFICATION

POS	TITLE	MATERIAL	DESCRIPTION
1.	TIP PART		S60
2.	CLAW ASSEMBLY		
3.	FRONT EDGE	HARDOX 450	20mm
4.			
5.			
6.			

This drawing and design is our property, and NOT allowed copied or used without our permission. Any misuse can lead to prosecution and/or liability for compensation according to law.

SURFACE TREATMENT ACCORDING TO PT.81

UNLESS OTHERWISE SPECIFIED DIMENSIONS ARE IN mm.



Scale: A3

Date: 14.05.2017

Draw.: PL

Contr.:

G HD SORTING GRAB GS60 S60
12-18T

Draw.no.:

Gjerstad Products AS
Gjerstadveien 373, N-4993 sumdebru
www.gjerstad.com



GE21970

Total weight: 534 kg

Revision: -