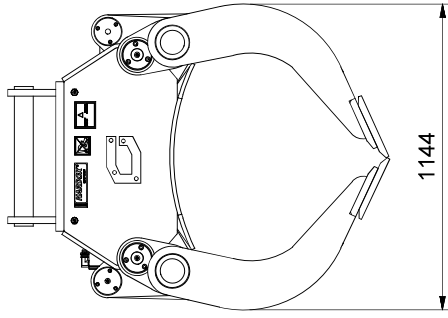
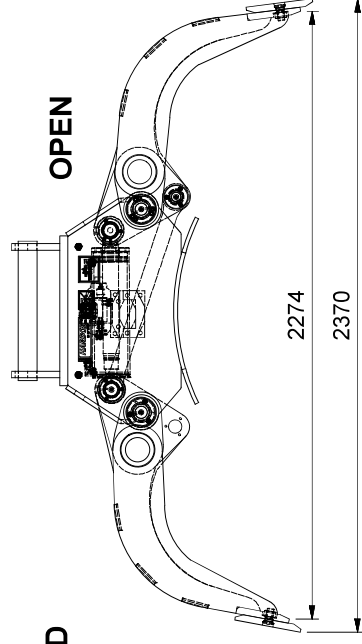


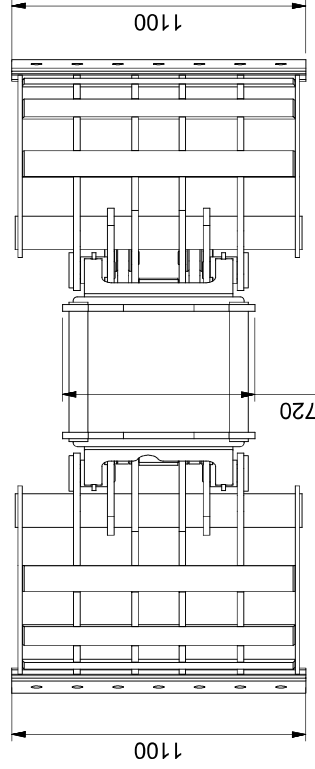
VIEW7 (1 : 20)



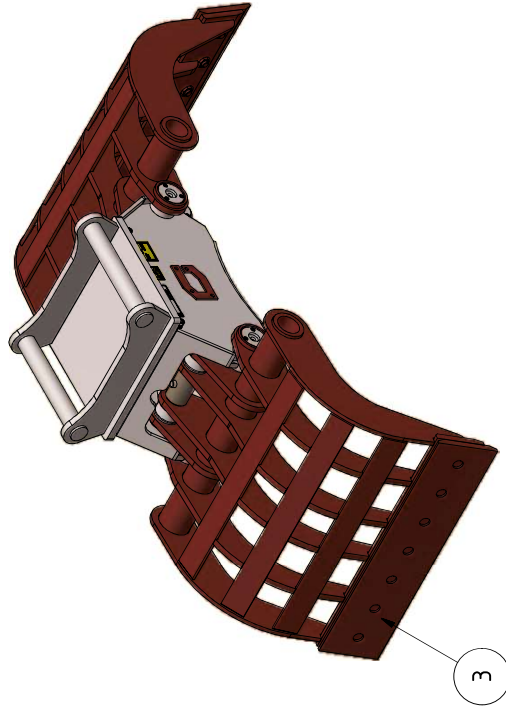
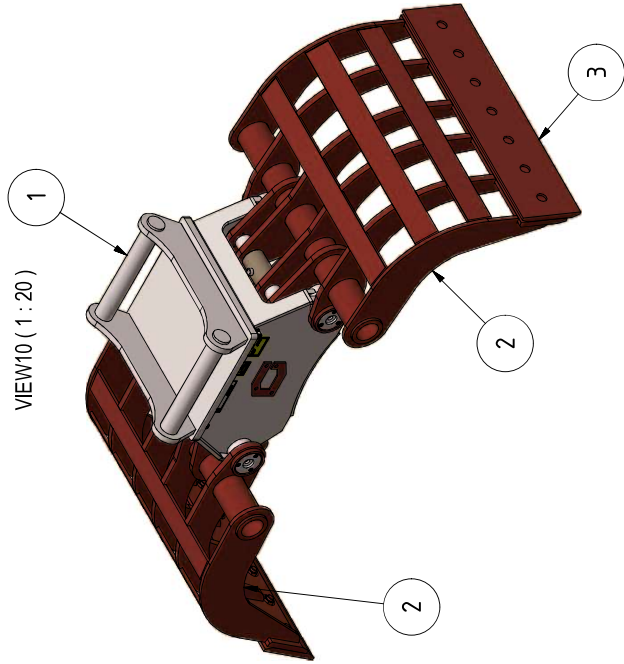
CLOSED



OPEN



VIEW10 (1 : 20)



A SEE MOUNTING FOR REVISION LIST

PL	16.12.16	Godkj. av
Rev.	Revisjonsbeskrivelse	Dato

Recommended machine weight: 18-32T

SPECIFICATION

POS	TITLE	MATERIAL	DESCRIPTION
1.	TOP PART		S70
2.	CLAW ASSEMBLY		
3.	BOLT -ON	HARDOX 500	25mm
4.			
5.			
6.			

GENERAL TOLERANCES
For non tolerance measurements

Denne tegning og konstruksjon er vår eiendom, og tillegges IKKE kopiert eller benyttes uten vår tillatelse. Overtredelse vil kunne medføre straff og/eller erstatningsansvar i henhold til gjeldende lov. This drawing and design is our property, and NOT allowed copied or used without our permission. Any misuse can lead to prosecution and/or liability for compensation according to law.

MACHINED PARTS:
NS-ISO 7168-1
Grade: m

G HD SORTING GRAB GS70 S70	Scale:	1:20	Projection:		Date:	21.08.2016
	Drawn:	A3	Confr.:		PL	
	Draw.no.:					

WELDED CONSTRUCTIONS:
NS-EN ISO 13920
1. Angle measurements class: A
2. Angle measurements class: B
3. Straightness etc. class: F

Gjerstad Engineering AS
Brokelandsheia, N-4993 sundebru
www.gjerstad.com

GE21980