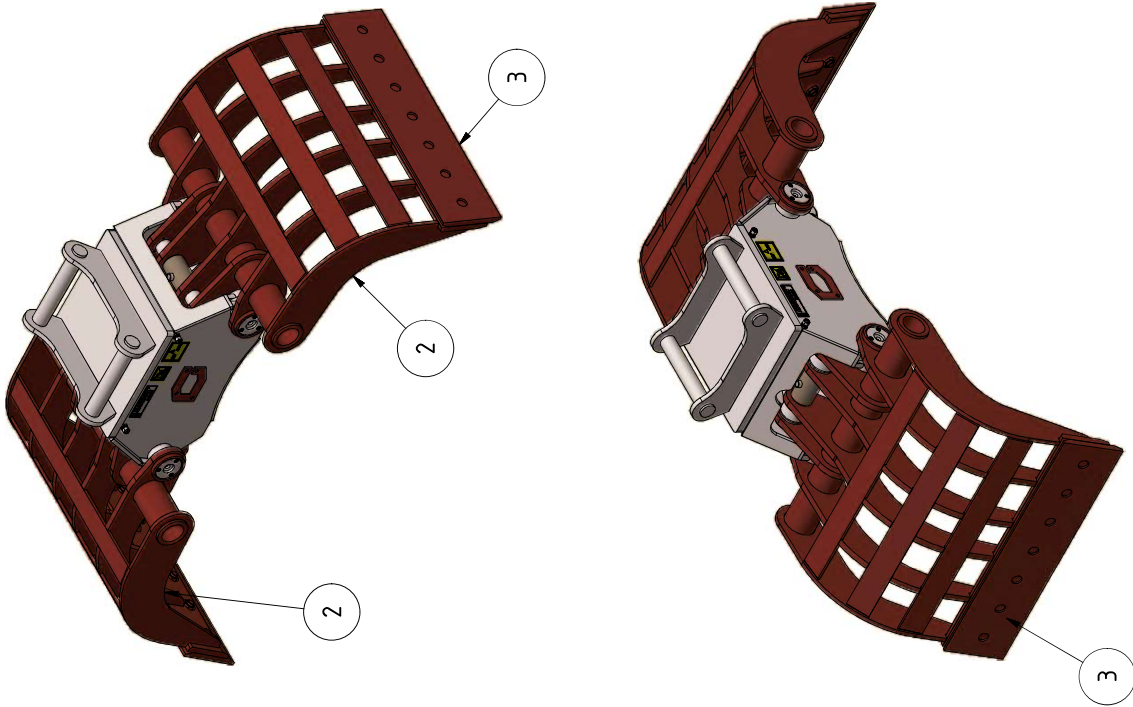
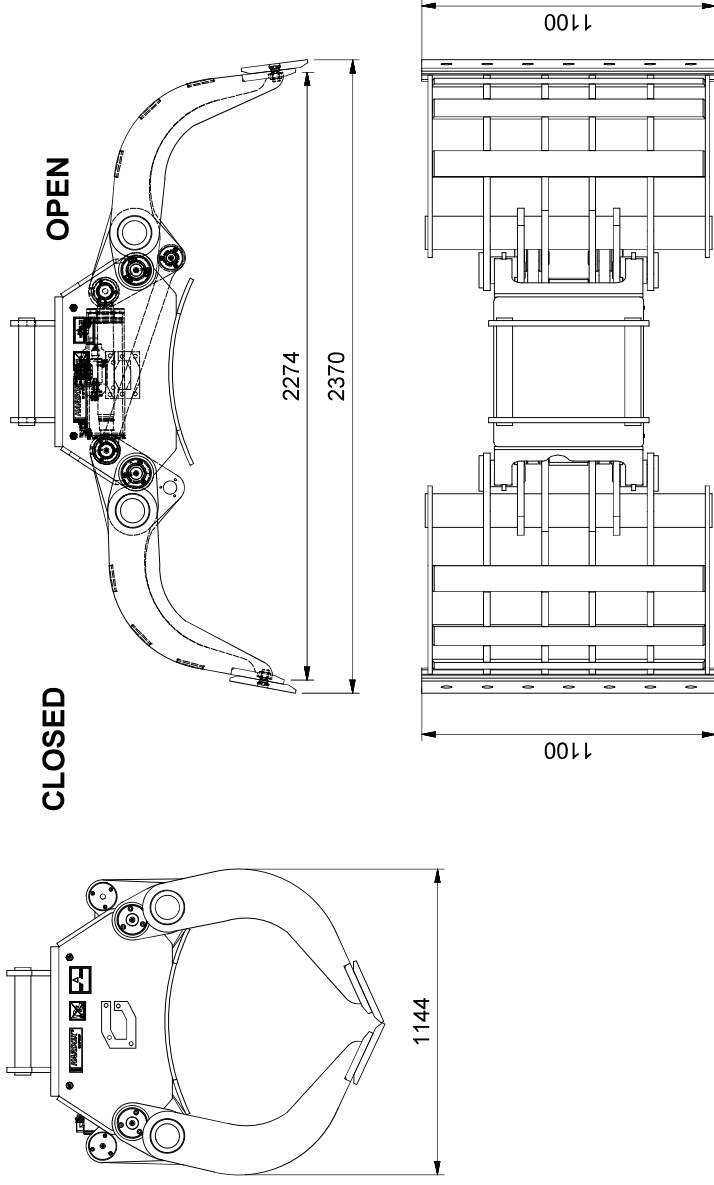


VIEW10 (1 : 20)



VIEW7 (1 : 20)



Recommended machine weight: 12-20T

SPECIFICATION

POS	TITLE	MATERIAL	DESCRIPTION
1.	TOP PART		S60
2.	CLAW ASSEMBLY		
3.	BOLT -ON	HARDOX 500	25mm
4.			
5.			
6.			

GENERAL TOLERANCES
For non tolerance measurements

MACHINED PARTS:
NS-ISO 7168-1
Grade: m

WELDED CONSTRUCTIONS:
NS-EN ISO 13920
1. Angle measurements class: A
2. Angle measurements class: B
3. Straightness etc. class: F

Denne tegning og konstruktion er v r ejendom, og till ses IKKE kopieret eller benyttes uden v r tilladelse. Overtredelse vil kunne medf re straf og/eller erstatningsansvar i henhold til gjeldende lov.
This drawing and design is our property, and NOT allowed copied or used without our permission.
Any misuse can lead to prosecution and/or liability for compensation according to law.

G HD SORTING GRAB GS70 S60

Scale: 1:20
A3
Projection:

Date: 09.01.2017
Draw.: PL
Contr.:

Gjerstad Engineering AS
Brokelandsheia, N-4993 sundebru
www.gjerstad.com



Draw.no.:

GE21981

FOR HYDRAULIC PACKAGE: TESS ORDER NO.: GE21980-HYDRAULIC PARTS

Total weight: 1027 kg

Revision: -