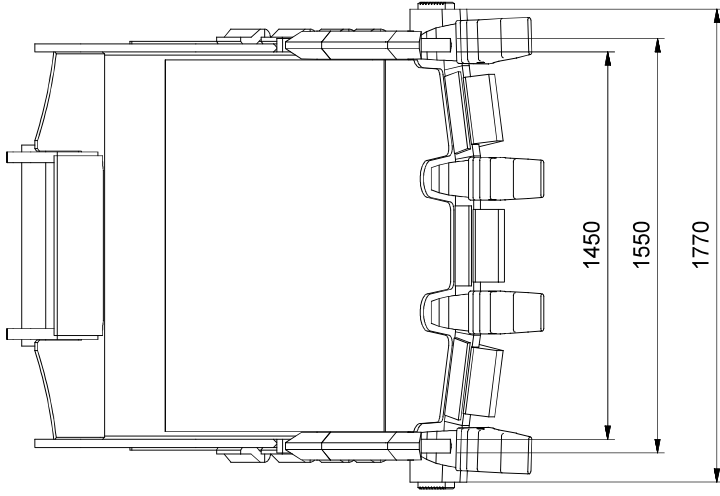
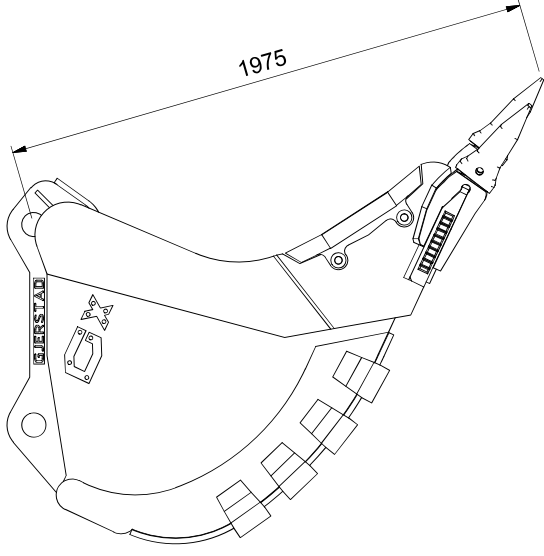


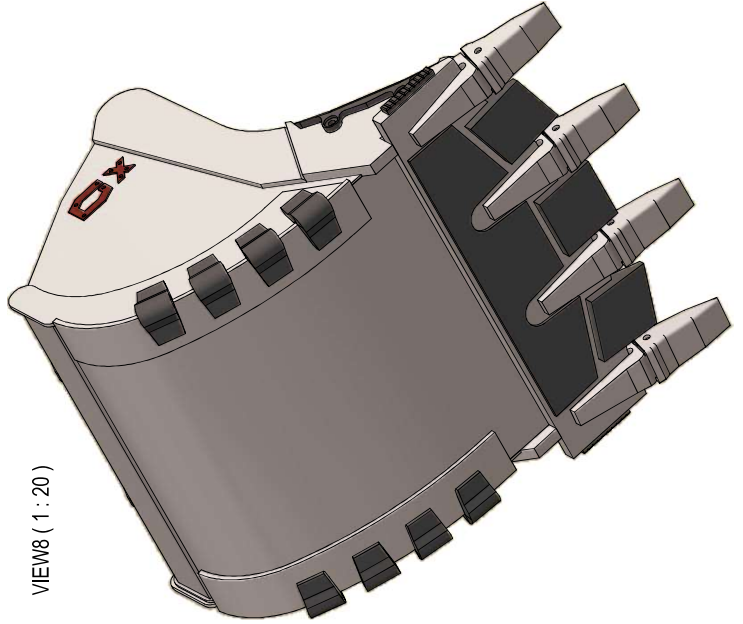
VIEW7 (1 : 20)



VIEW5 (1 : 20)



VIEW8 (1 : 20)



Recommended machine weight: 32-40 T

SPECIFICATION

POS	TITLE	MATERIAL	DESCRIPTION
1.	BUNN / BOTTOM PLATE	HARDOX 450	15mm
2.	SIDEKNIV / UPPER PART	HARDOX 500	30mm
3.	TANNSYSTEM / GET	CAT	J550CSL
4.	SEGMENTER / HA	PROFILE STEEL	40x254-mm
5.	KNIV / FRONT EDGE	HARDOX 450	63x380/500x1770mm
6.			

This drawing and design is our property, and NOT allowed copied or used without our permission. Any misuse can lead to prosecution and/or liability for compensation according to law.

SURFACE TREATMENT ACCORDING TO: PT7.01

UNLESS OTHERWISE SPECIFIED DIMENSIONS ARE IN mm.

G XTREME DIGGING BUCKET 2200L SAE G90
SEMI DELTA FRONT 170MM CAT. J550CSL & HA

Scale: 1:25
A3

Projection:

Date: 23.08.2017
Draw.: PL
Contr.: PL

Draw.no.: _____

SHEET 1 OF 3



Gjerstad Products AS
Gjerstadveien 373, N-4993 sumdebru
www.gjerstad.com

GE30705

Total weight: 2639 kg

Revision: _____