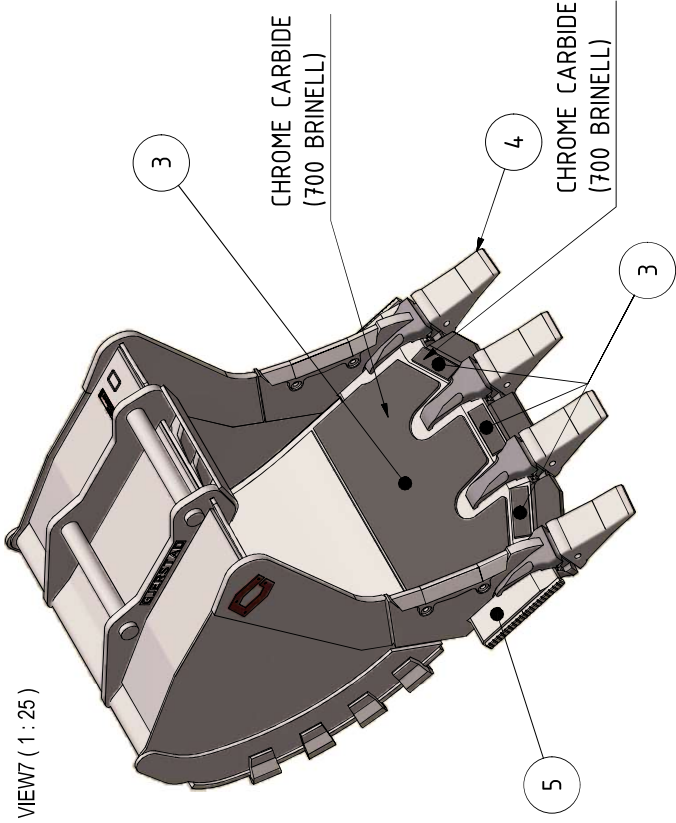
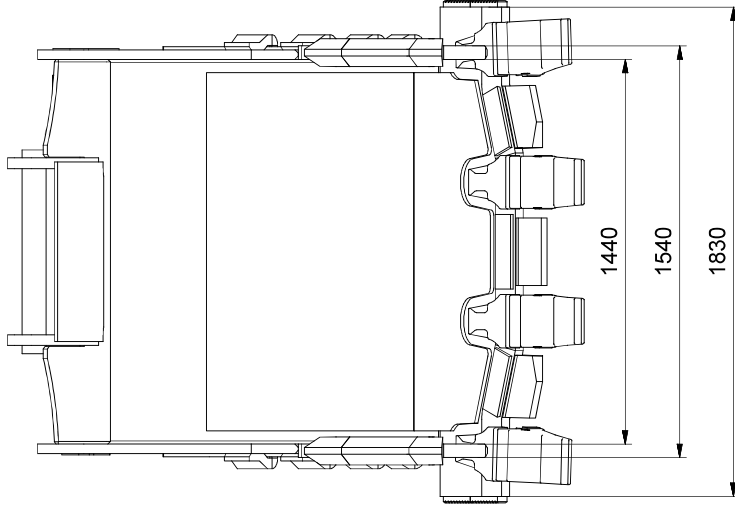
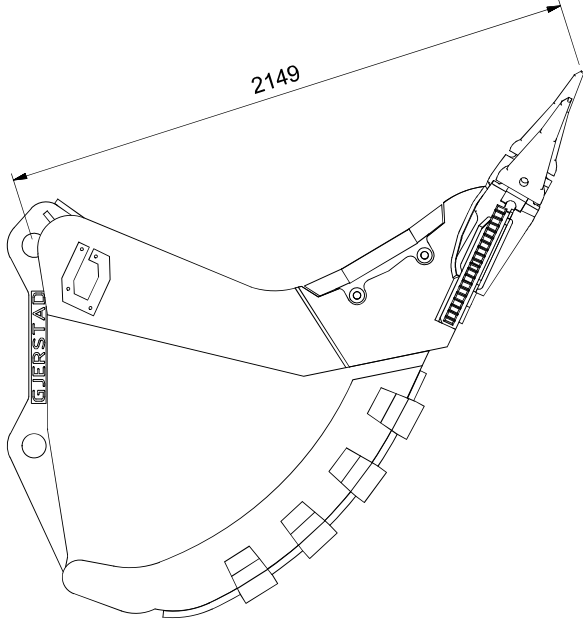
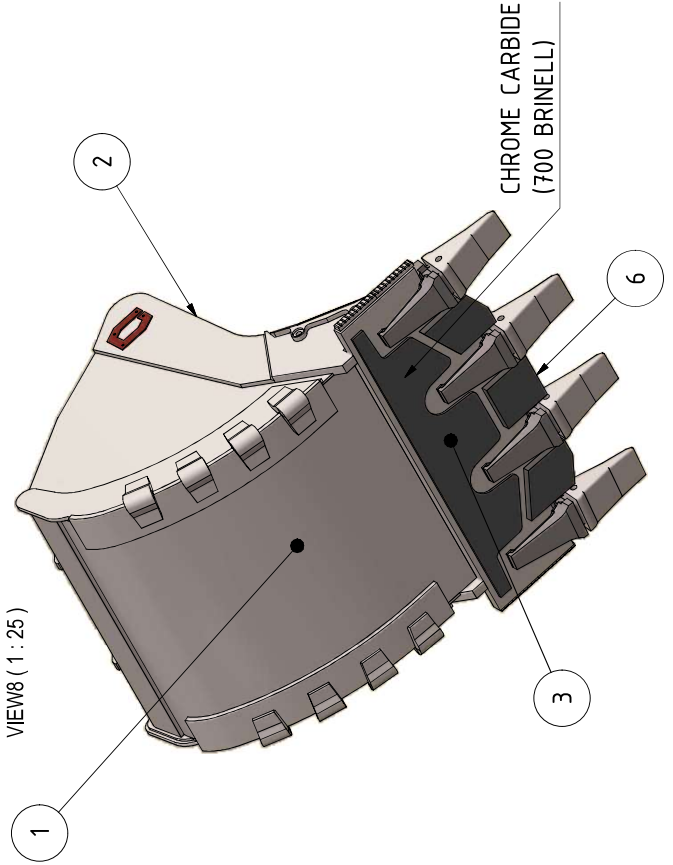


VIEW5 ( 1 : 20 )



VIEW8 ( 1 : 25 )



*Recommended machine weight:* 40-55 T

**SPECIFICATION**

POS	TITLE	MATERIAL	DESCRIPTION
1.	BUNN / BOTTOM PLATE	HARDOX 450	15mm
2.	SIDEKNIV / UPPER PART	HARDOX 500	35mm
3.	SLITEPLATE / WEAR PLATE	CHROME CARBIDE HB700	6+8mm
4.	TANNSYSTEM / GET	CAT	J600CSL
5.	KNIV / FRONT EDGE	S355	70x480/600x1830mm
6.	SEGMENTER / HA	PROFILE STEEL	40x254

This drawing and design is our property, and NOT allowed copied or used without our permission. Any misuse can lead to prosecution and/or liability for compensation according to law.

SURFACE TREATMENT ACCORDING TO: P17A1  
UNLESS OTHERWISE SPECIFIED  
DIMENSIONS ARE IN mm.

SHEET 1 OF 3

Scale: 1:20  
Date: 15.03.2017  
Drawn: PL  
Contrt.

G XTREME DIGGING BUCKET 2600L SAE G90  
SEMI DELTA FRONT 1830mm CAT J600CSL & HA

Draw.no.:

Gjerstad Products AS  
Gjerstadvæien 373, N-4993 sumdebru  
www.gjerstad.com



**GE30805**

Total weight: 3539 kg\*

Revision: -