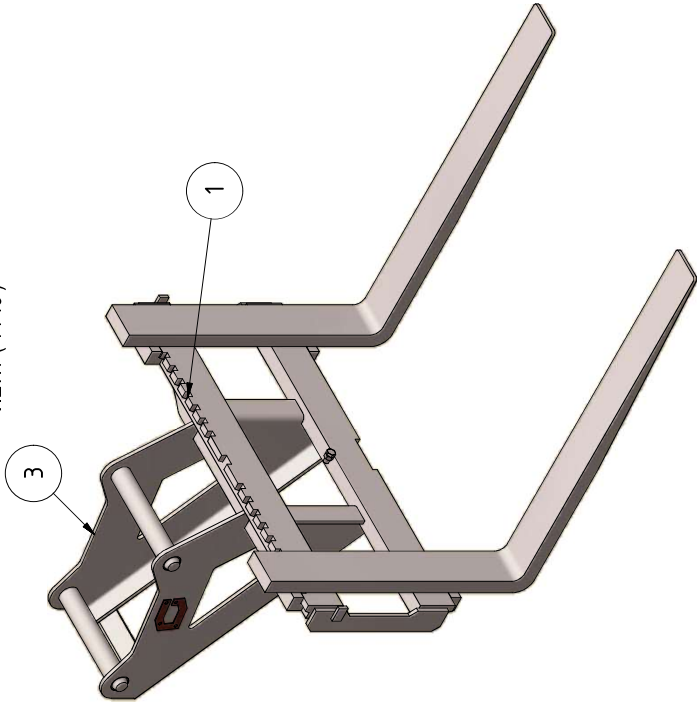
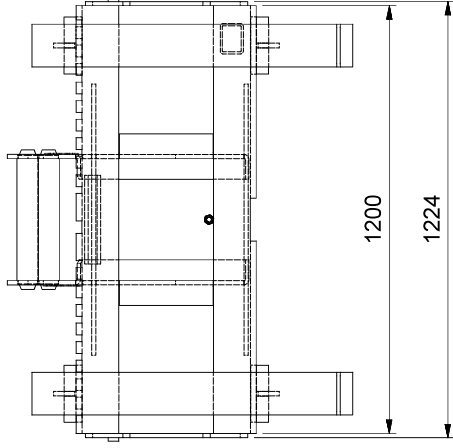
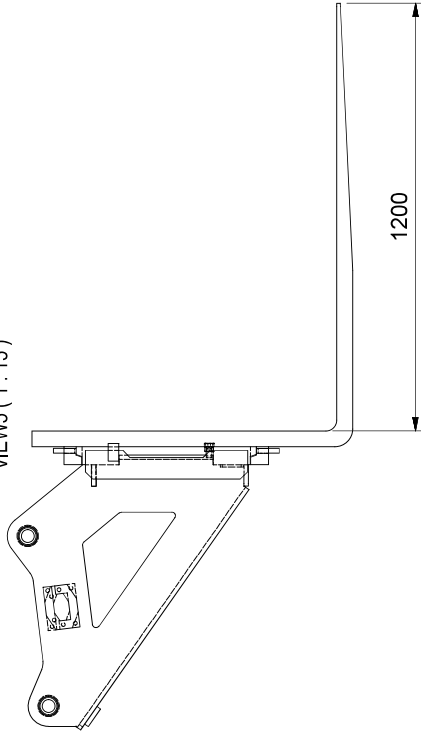


VIEW7 (1 : 15)



VIEW5 (1 : 15)

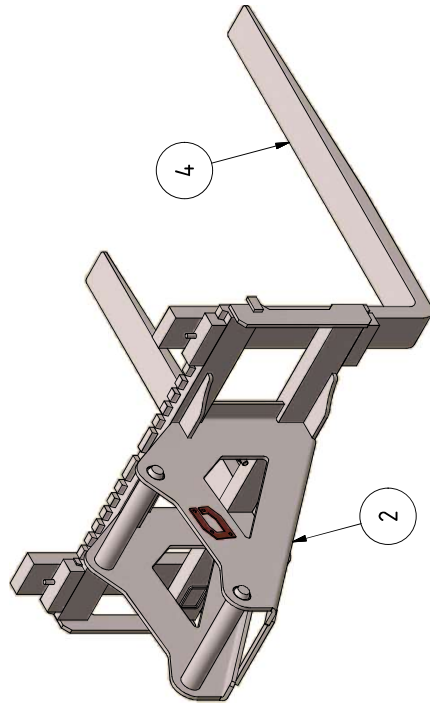


COMPLETE FORK SET FROM SE WHEEL & FORKS SWEDEN
 UPPER AND LOWER CROSS BAR FROM SE WHEEL & FORKS SWEDEN

B	WELDING INFO, TOLERANCES	PL	17.02.17
Rev.	Description	Rev. by	Date
		Approved by:	

Recommended machine weight: 10-19 T

VIEW8 (1 : 15)



SPECIFICATION

POS	TITLE	MATERIAL	DESCRIPTION
1.	UPPER/LOWER CROSS BAR	FEM 3	120x50x1200
2.	ASSEMBLY FOR EXCAVATOR	S60	
3.	FOR SET	FEM 3B	120x45x1200mm
4.			
5.			
6.			

GENERAL TOLERANCES
 For non tolerance measurements

MACHINED PARTS:
 NS-JISO 7168-1
 Grade: m

WELDED CONSTRUCTIONS:
 NS-EN ISO 13920
 1. Angle measurements class: A
 2. Straightness etc. class: B
 3. Straightness etc. class: F

Denne tegning og konstruktion er v r ejendom, og till ses IKKE kopieret eller benyttet uden v r tilladelse. Overtr delse vil kunne medf re straf og/eller erstatningsansvar i henhold til gjeldende lov.
 This drawing and design is our property, and NOT allowed copied or used without our permission.
 Any misuse can lead to prosecution and/or liability for compensation according to law.

G HD FORKLIFT 4,2 T S60
 125x45x1200mm

Scale: A3
 Projection:

Date: 17.02.2017
 Draw.: PL
 Confr.:

Draw.no.:
Gjerstad Engineering AS
 Brokelandsheia, N-4993 sundebru
 www.gjerstad.com



GE5844

Total weight: 367 kg*

Revision: B