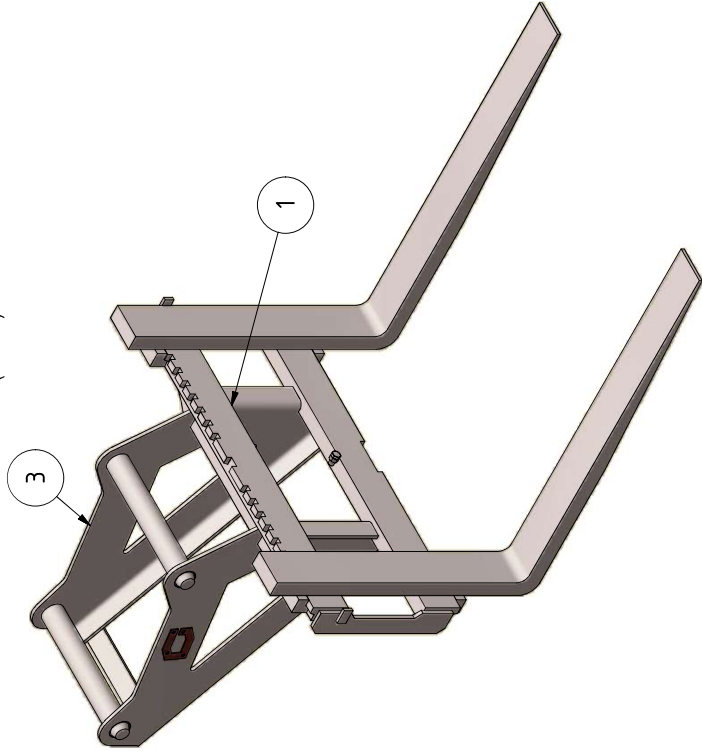
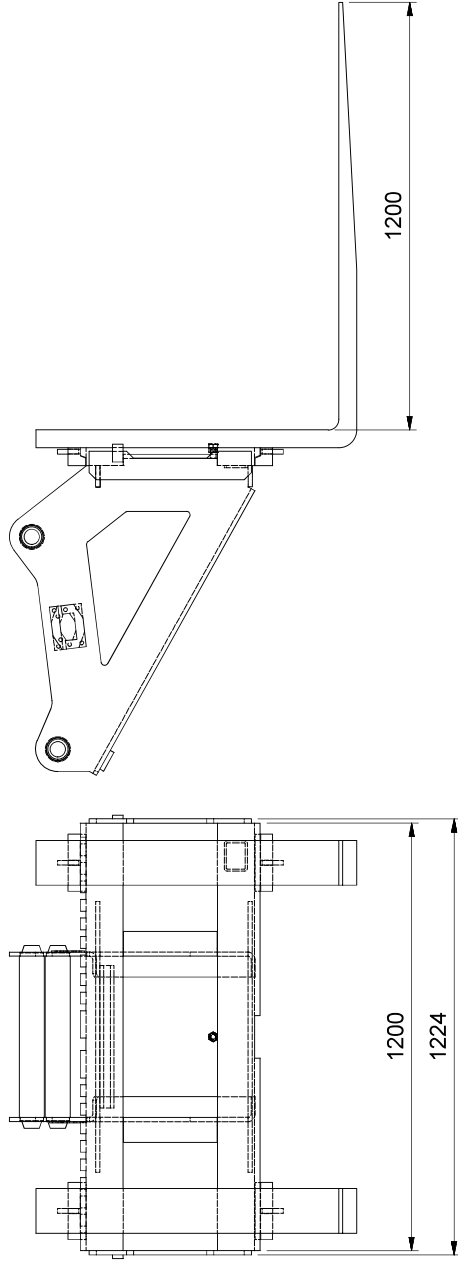


VIEW6 (1 : 15)



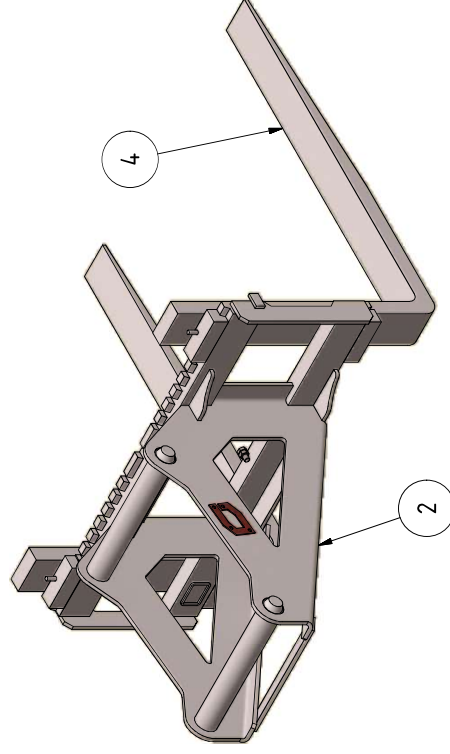
VIEW5 (1 : 15)



COMPLETE FORK SET FROM SE WHEEL & FORKS SWEDEN
UPPER AND LOWER CROSS BAR FROM SE WHEEL & FORKS SWEDEN

B	REMOVED VETTER. CHANGED TO CORRECT FORK SPEC	PL	28.03.17
Rev.	Description	Rev. by	Date
			Approved by:

VIEW7 (1 : 15)



Recommended machine weight:

SPECIFICATION			
POS	TITLE	MATERIAL	DESCRIPTION
1.	UPPER/LOWER CROSS BAR	FEM 3	120x50x1200
2.	ASSEMBLY FOR EXCAVATOR	S60	
3.	FORK SET	FEM 3B	125x50x1200mm
4.			
5.			
6.			

GENERAL TOLERANCES
For non tolerance measurements

MACHINED PARTS:
NS-ISO 7168-1
Grade: m

WELDED CONSTRUCTIONS:
NS-EN ISO 13920
1. Line measurements class: A
2. Angle measurements class: B
3. Straightness etc. class: F

Denne tegning og konstruktion er vår eiendom, og tillegges IKKE kopiert eller benyttet uten vår tillatelse. Overtredelse vil kunne medføre straff og/eller erstatningsansvar i henhold til gjeldende lov. This drawing and design is our property, and NOT allowed copied or used without our permission. Any misuse can lead to prosecution and/or liability for compensation according to law.

G HD FORKLIFT 5,0T S70 125X50X1200MM		Scale:	A3	Projection:		Date: 23.08.2016
						Draw.: PL
						Contn.:

<p>Gjerstad Engineering AS Brokelandsheia, N-4993 sundebru www.gjerstad.com</p>		Draw.no.:	GE5845
		Total weight:	412 kg*
		Revision:	B