

GENERAL TOLERANCES
For non tolerance measurements

Linear Dim:
X.X = +/- 0,20
X.XX = +/- 0,10
X.XXX = +/- 0,005
Angles: = ,5°

This drawing and design is our property, and NOT allowed copied or used without our permission. Any misuse can lead to prosecution and/or liability for compensation according to law.

SURFACE TREATMENT ACCORDING TO: P17.01

UNLESS OTHERWISE SPECIFIED DIMENSIONS ARE IN mm

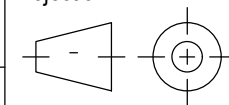
MACHINED PARTS:
NS-ISO 2768-1
Grade: m

G HD QUICK COUPLER G60 SECURE LIP
JCB JS130-140-145

Scale:

A3

Projection:



SHEET 1 OF 4

Date: 14.09.2017

Draw.: Svein Olav

Contr.: PL/KH

WELDED CONSTRUCTIONS:
NS-EN ISO 13920
1. Linear measurements class: A
2. Angle measurements class: B
3. Straightness etc. class: F



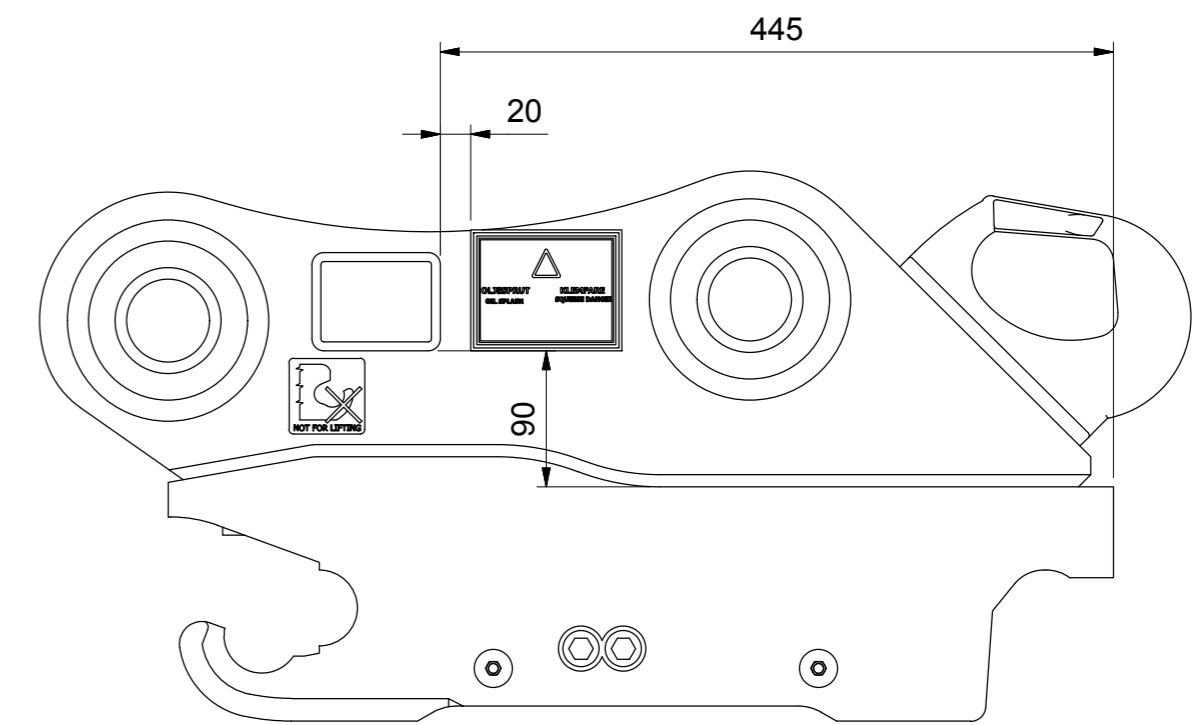
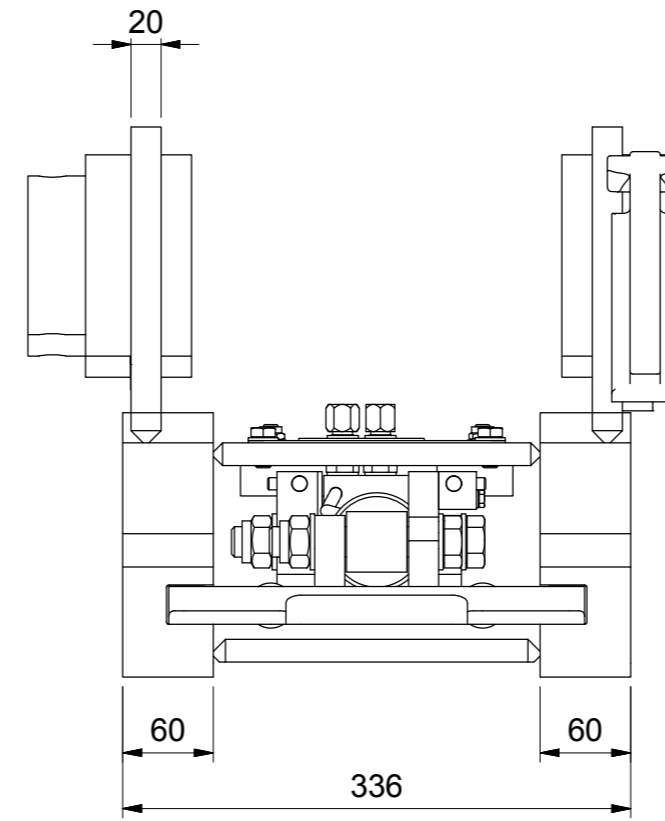
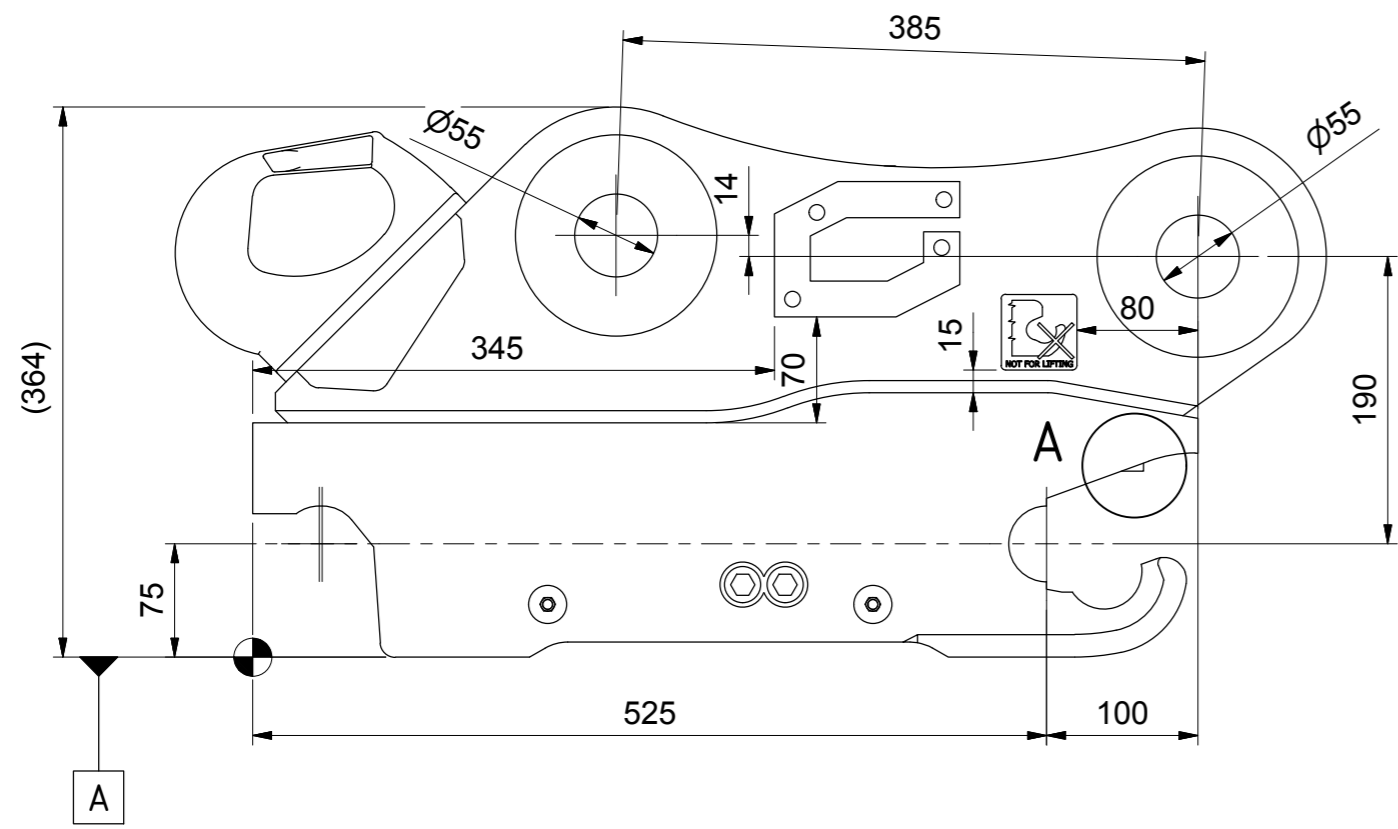
Gjerstad Products AS
Gjerstadveien 373, N-4993 sundebru
www.gjerstad.com

Draw.no.:

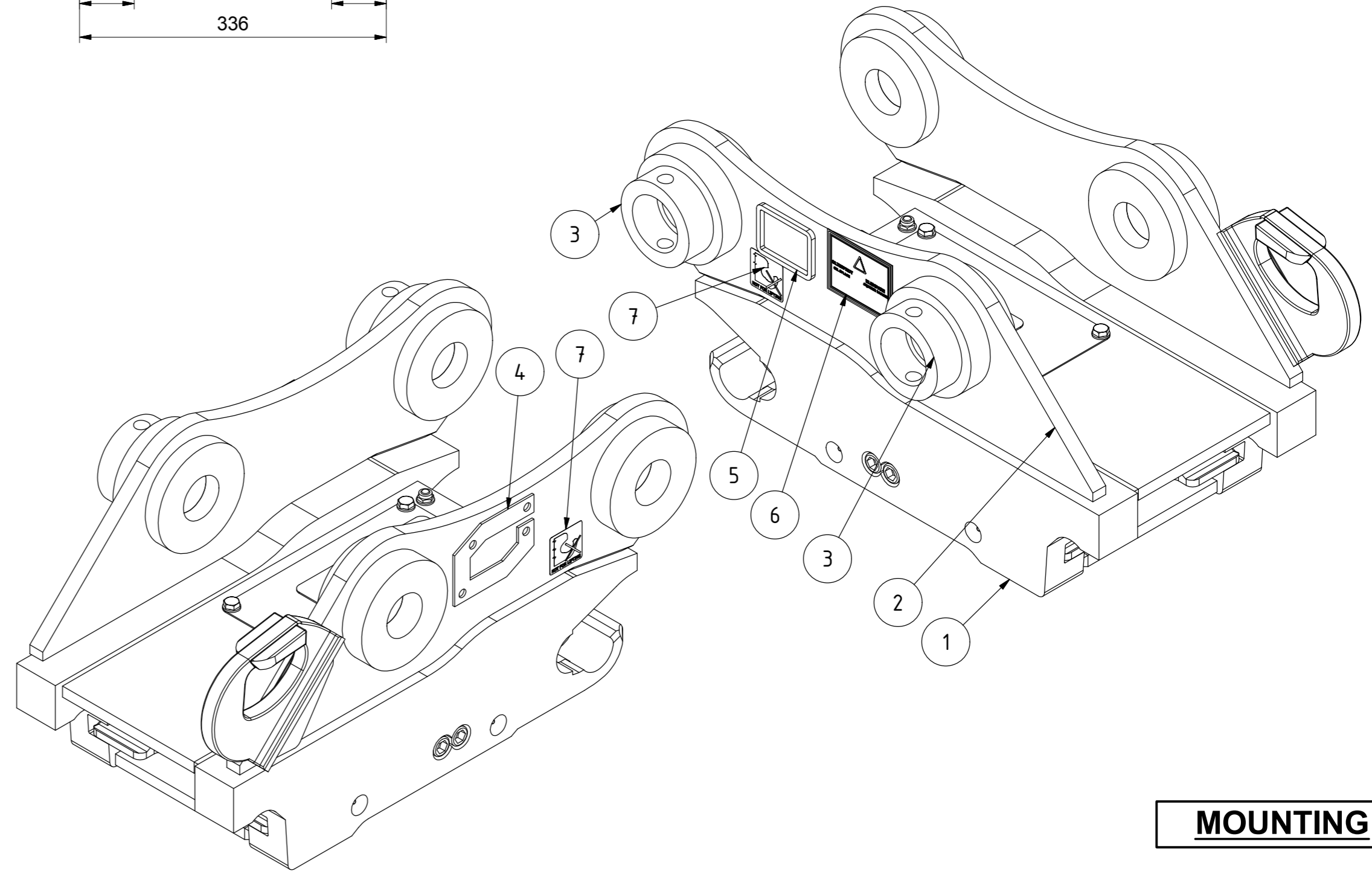
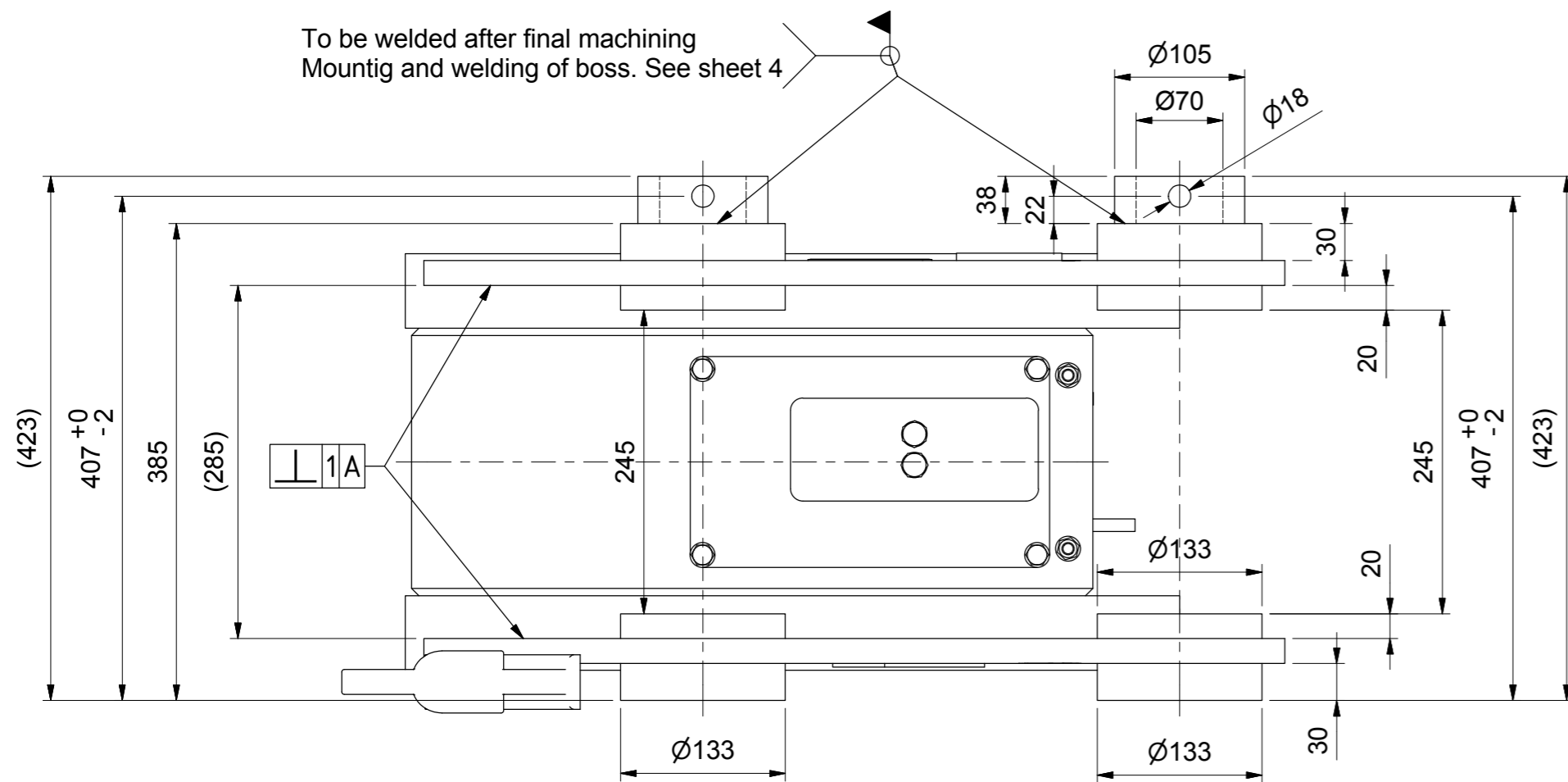
GE22611

Total weight: 172 kg

Revision: -



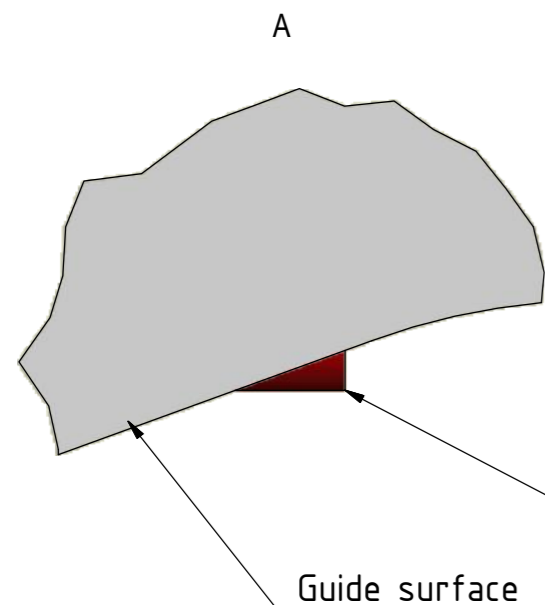
To be welded after final machining
Mounting and welding of boss. See sheet 4



MOUNTING

Note. Sticker pos 6 & 7 to be placed after painting

Pos	Qty	Part No.	Rev	Description	Material	Specification	Weight
1	1	P4090012	I	G60 HD QUICK COUPLER	Generic		117,1 kg
2	1	P4090111		ATTACHEMENT FOR JCB JS130-40-45W	Generic		52,6 kg
3	2	DT4100347		BOSS OUTSIDE RIGTH	S355J2G3	HOLLOW BAR Ø105 / Ø70 L=38	1,4 kg
4	1	GJERSTAD 0.7	B	GJERSTAD 0.7	S355J2G3	PL. 123 x 90 x 3	,2 kg
5	1	DE4102526		FRAME FOR PRODUCTION SIGN	S355J2G3	PL 6 x 85 x 65	,1 kg
6	1	GMIKLEM1		DANGER STICKER 80x100mm	STICKER	PL. 100 x 80 x 1	0 kg
7	2	DT4100308		NOT FOR LIFTING 50x50	Sticker		0 kg



Adjust stick out length to zero for red indicator,
no stick out outside guide surface allowed.
Use set screw on the wedge. (To avoid crash
between indicator and equipment during connection)

Guide surface

GENERAL TOLERANCES
For non tolerance measurements
Linear Dim:
XX = +/- 0,20
XXX = +/- 0,10
XXXX = +/- 0,005
Angles = 5°

MACHINED PARTS:
NS-ISO 2768-1
Grade: m

WELDED CONSTRUCTIONS:
NS-EN ISO 13920
1. Linear measurements class: A
2. Angle measurements class: B
3. Straightness etc. class: F

This drawing and design is our property,
and NOT allowed copied or used without our permission.
Any misuse can lead to prosecution and/or liability
for compensation according to law.

G HD QUICK COUPLER G60 SECURE LIP
JCB JS130-140-145

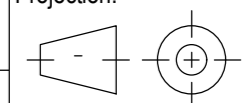
Gjerstad Products AS
Gjerstadveien 373, N-4993 sundebru
www.gjerstad.com

SURFACE TREATMENT ACCORDING TO: P17.01

Scale:

Projection:

A2



UNLESS OTHERWISE SPECIFIED
DIMENSIONS ARE IN mm

SHEET 2 OF 4

Date: 14.09.2017

Draw.: Svein Olav

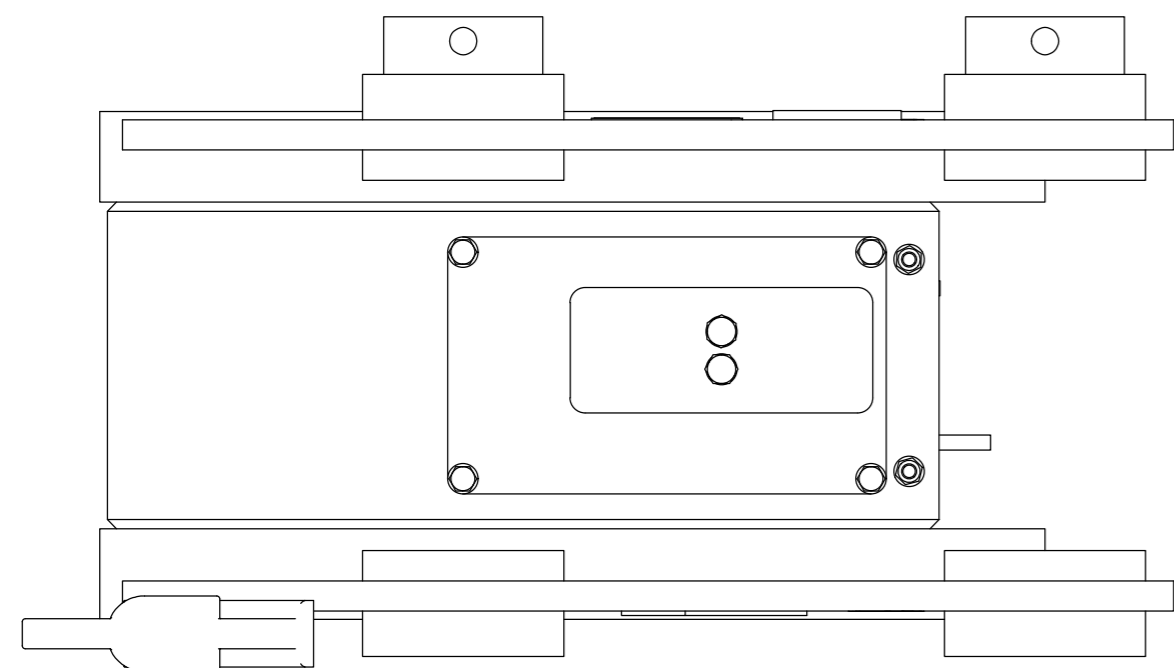
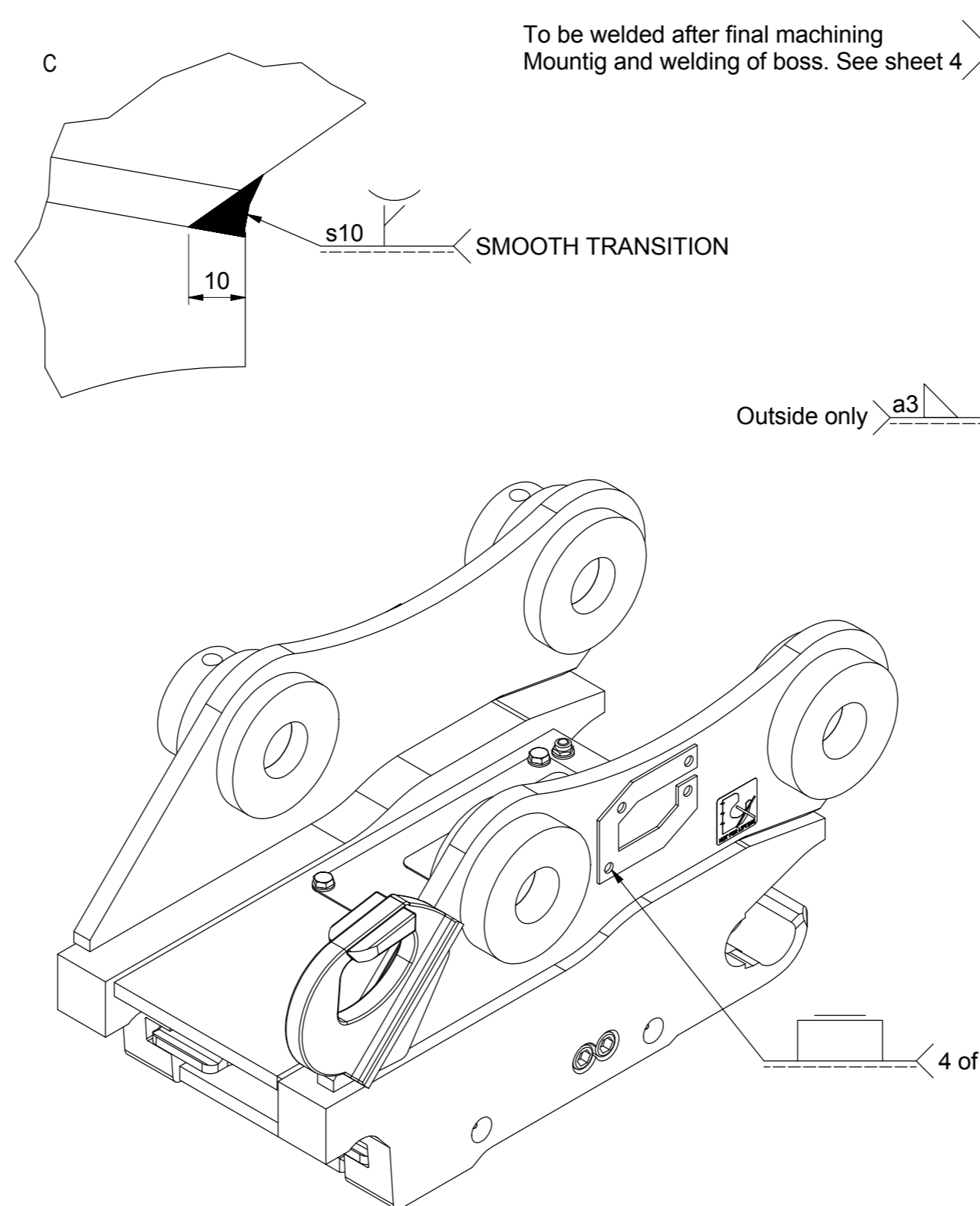
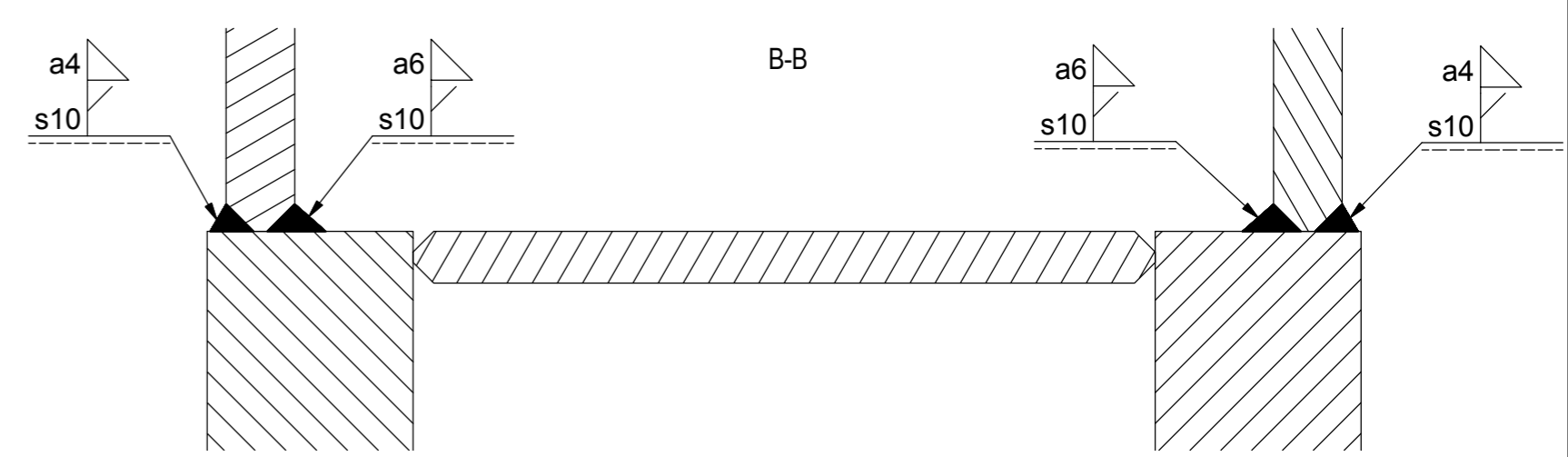
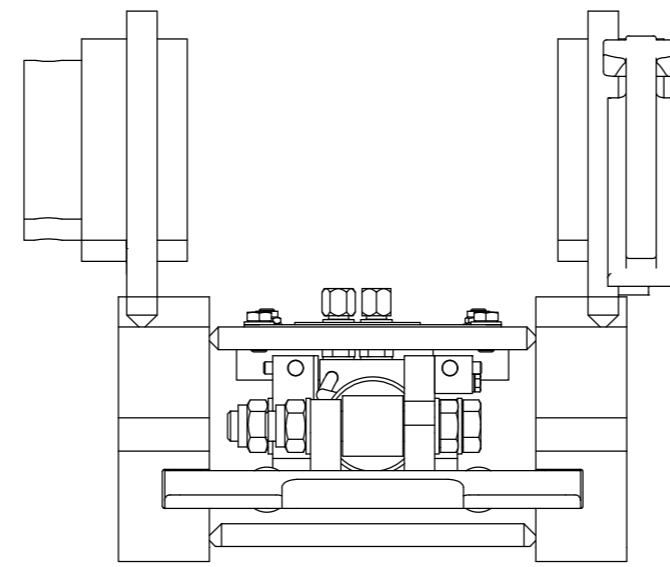
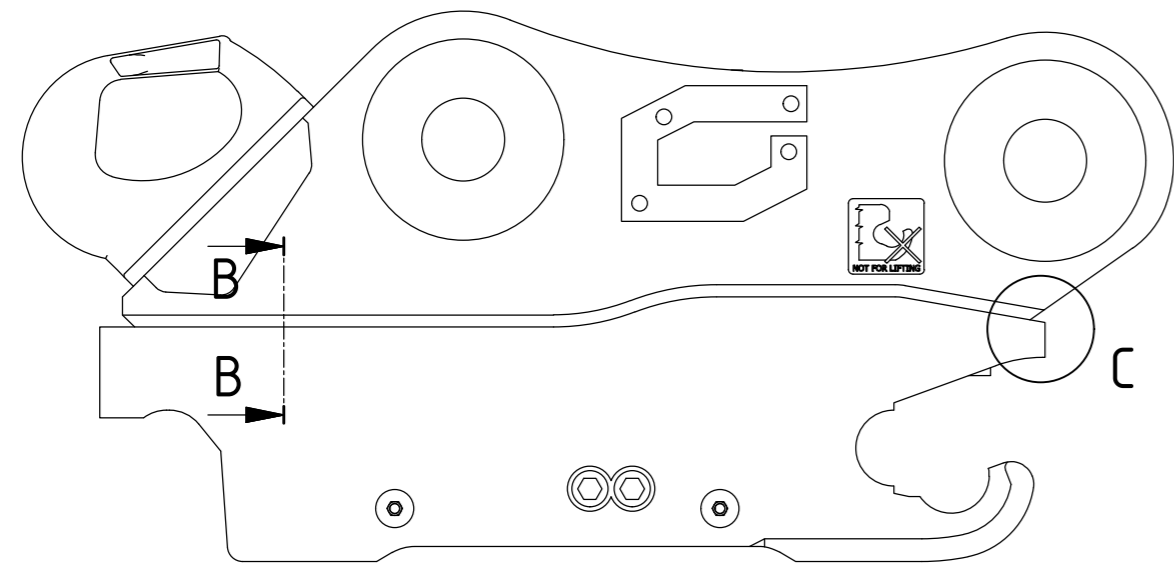
Contr.: PL/KH

Draw.no.:

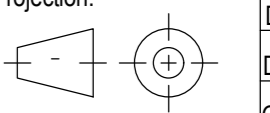

GE22611

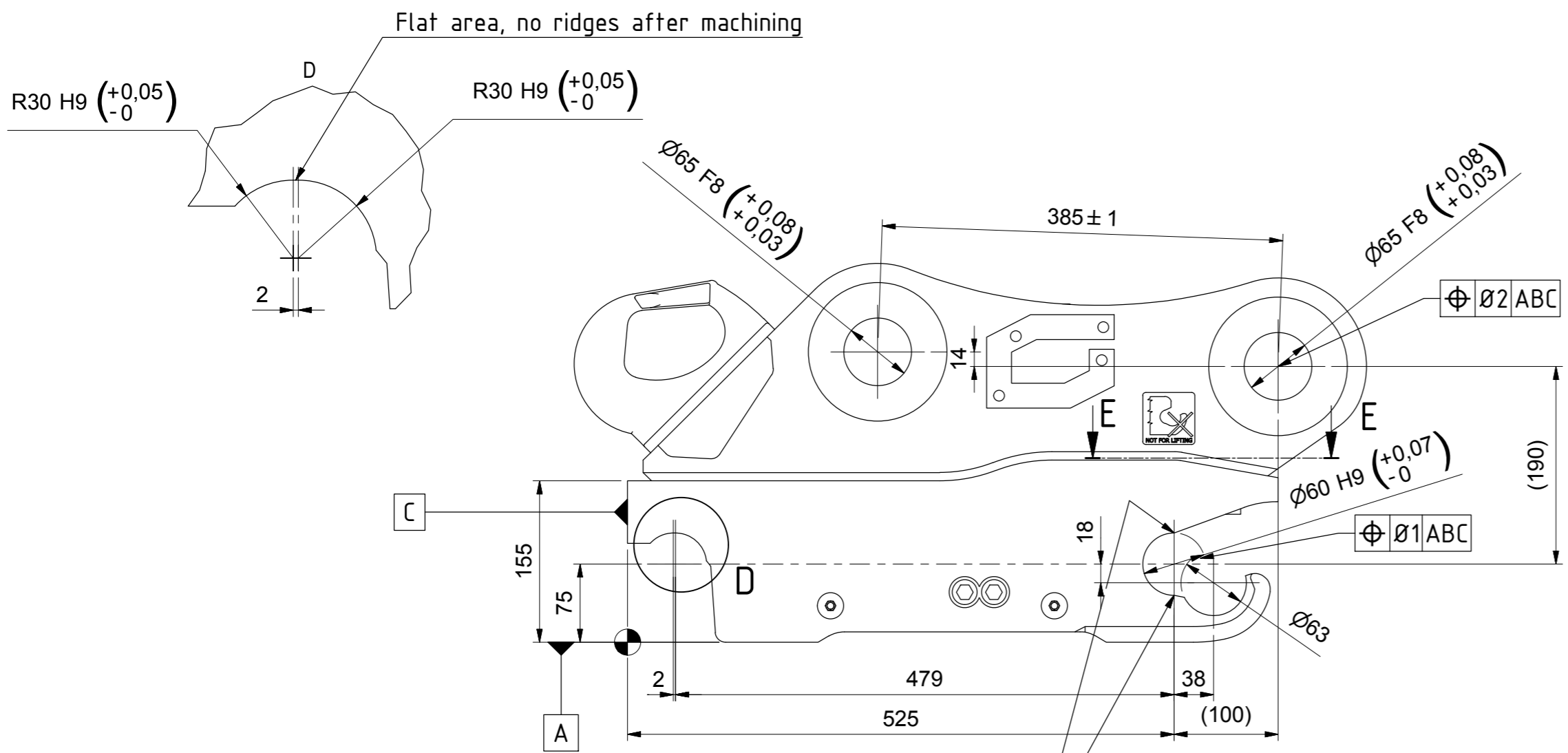
Total weight: 167 kg

Revision:



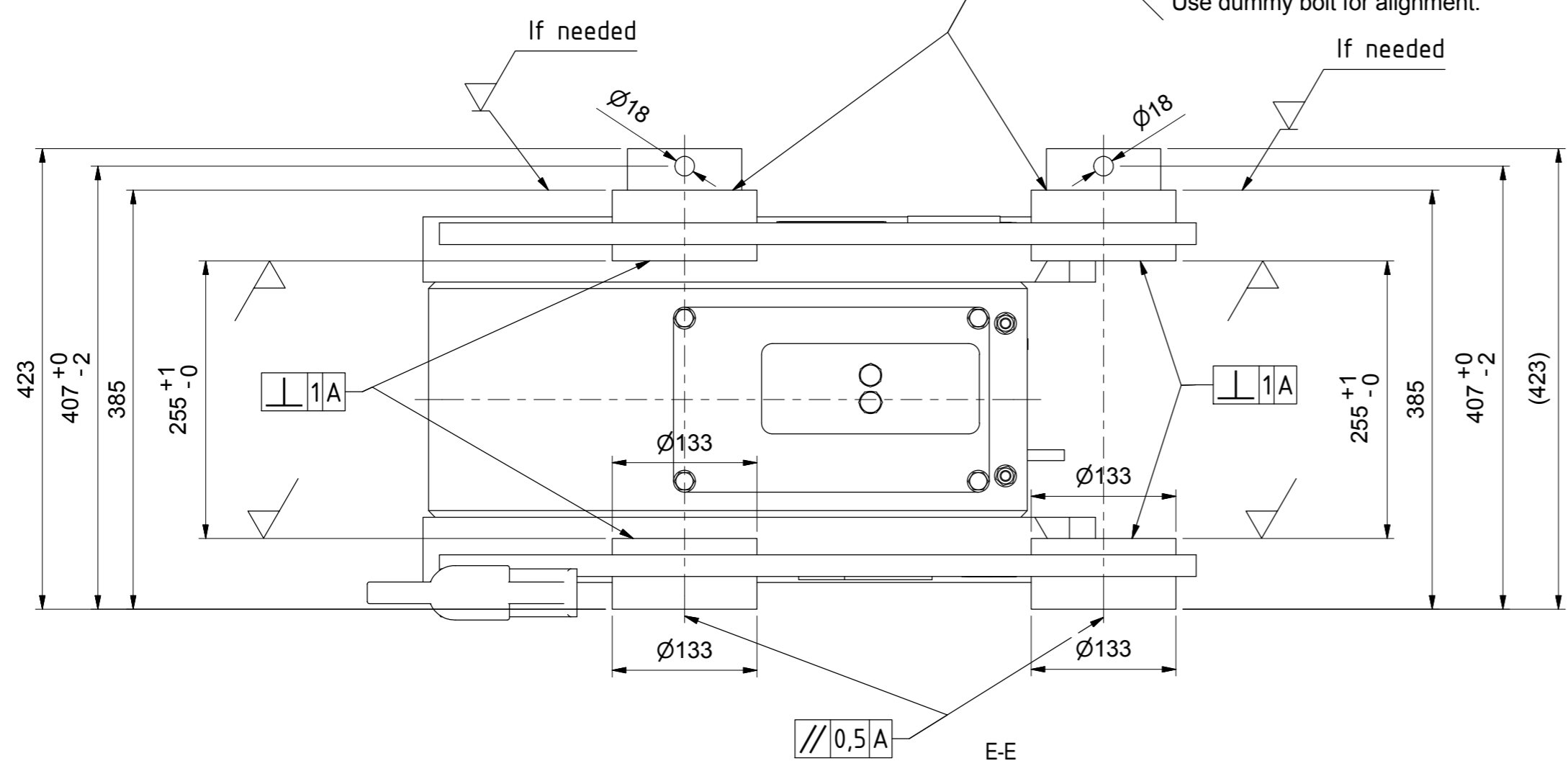
WELDING

GENERAL TOLERANCES For non tolerance measurements Linear Dim: XX = +/- 0,20 XXX = +/- 0,10 XXXX = +/- 0,005 Angles = 5°	This drawing and design is our property, and NOT allowed copied or used without our permission. Any misuse can lead to prosecution and/or liability for compensation according to law.	SURFACE TREATMENT ACCORDING TO: P17.01	UNLESS OTHERWISE SPECIFIED DIMENSIONS ARE IN mm SHEET 3 OF 4
MACHINED PARTS: NS-ISO 2768-1 Grade: m	G HD QUICK COUPLER G60 SECURE LIP JCB JS130-140-145	Scale: A2	Projection:  Date: 14.09.2017 Draw.: Svein Olav Contr.: PL/KH
WELDED CONSTRUCTIONS: NS-EN ISO 13920 1. Linear measurements class: A 2. Angle measurements class: B 3. Straightness etc. class: F	 Gjerstad Products AS Gjerstadveien 373, N-4993 sundebru www.gjerstad.com	Draw.no.: GE22611 Total weight: 167 kg Revision: -	

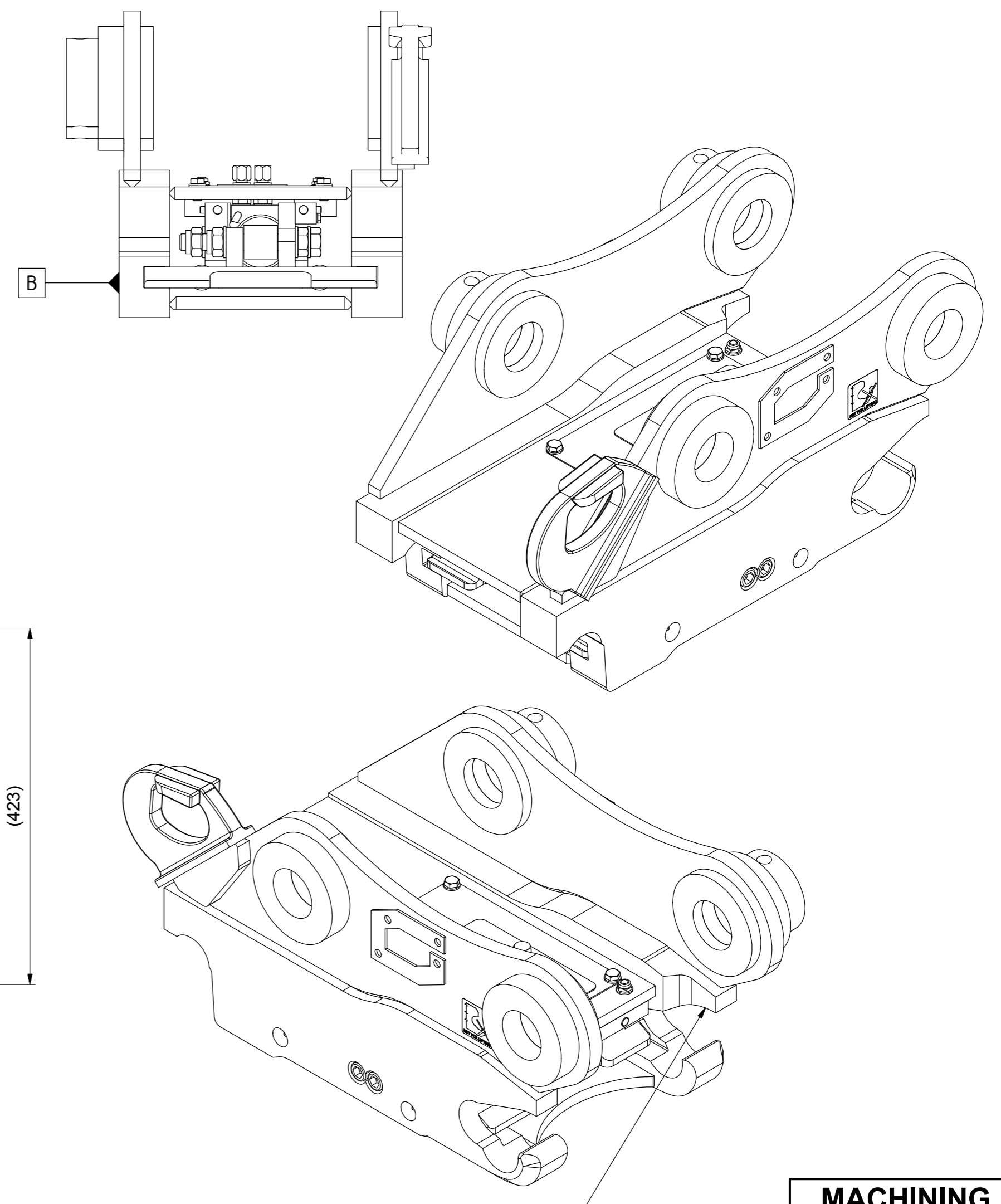
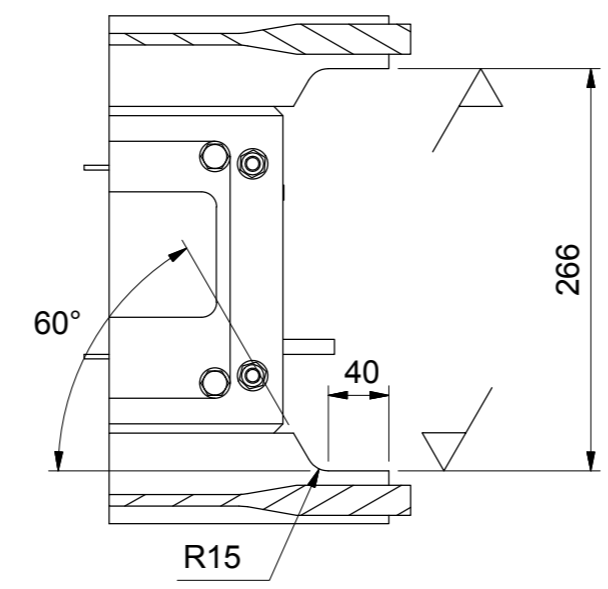


Machine $\phi 60$ as a horizontal slot (not like a hole), ridges in this area shall not remain after machining

4xa4 To be welded after final machining
No weld near hole for locking pin.
Use dummy bolt for alignment.



∥ 0,5 A E-E



MACHINING

<p>GENERAL TOLERANCES For non tolerance measurements</p> <p>Linear Dim: XX = +/- 0,20 XXX = +/- 0,10 XXXX = +/- 0,005 Angles = 5°</p>	<p>This drawing and design is our property, and NOT allowed copied or used without our permission. Any misuse can lead to prosecution and/or liability for compensation according to law.</p>	<p>SURFACE TREATMENT ACCORDING TO: P17.01</p>	<p>UNLESS OTHERWISE SPECIFIED DIMENSIONS ARE IN mm</p>
<p>MACHINED PARTS: NS-ISO 2768-1 Grade: m</p>	<p>G HD QUICK COUPLER G60 SECURE LIP JCB JS130-140-145</p>	<p>Scale: A2</p>	<p>SHEET 4 OF 4</p>
<p>WELDED CONSTRUCTIONS: NS-EN ISO 13920 1. Linear measurements class: A 2. Angle measurements class: B 3. Straightness etc. class: F</p>	<p>Gjerstad Products AS Gjerstadveien 373, N-4993 sundebru www.gjerstad.com</p>	<p>Projection: </p>	<p>Date: 14.09.2017 Draw.: Svein Olav Contr.: PL/KH</p>
<p>Draw.no.: GE22611</p>		<p>Total weight: 172 kg</p>	<p>Revision: -</p>