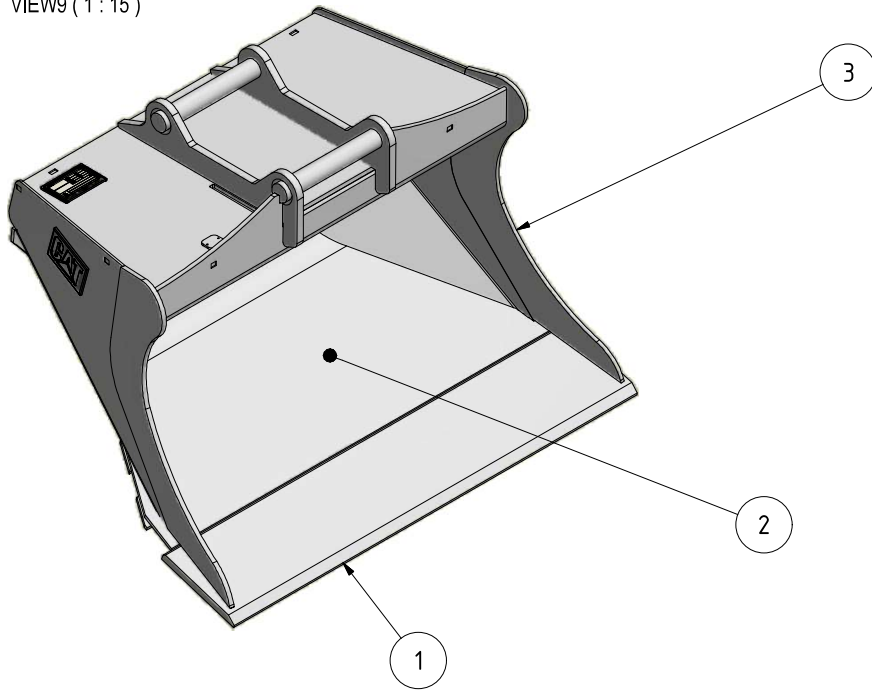
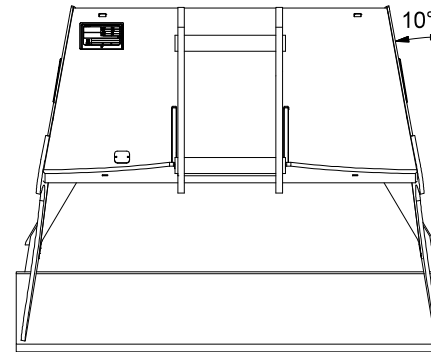
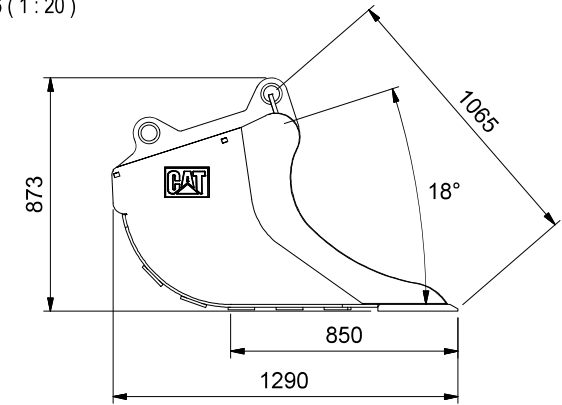
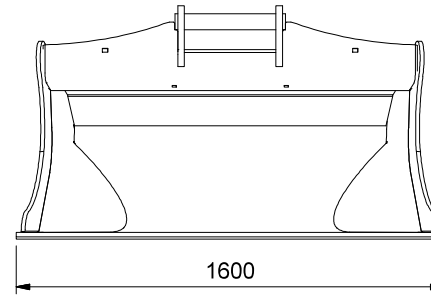


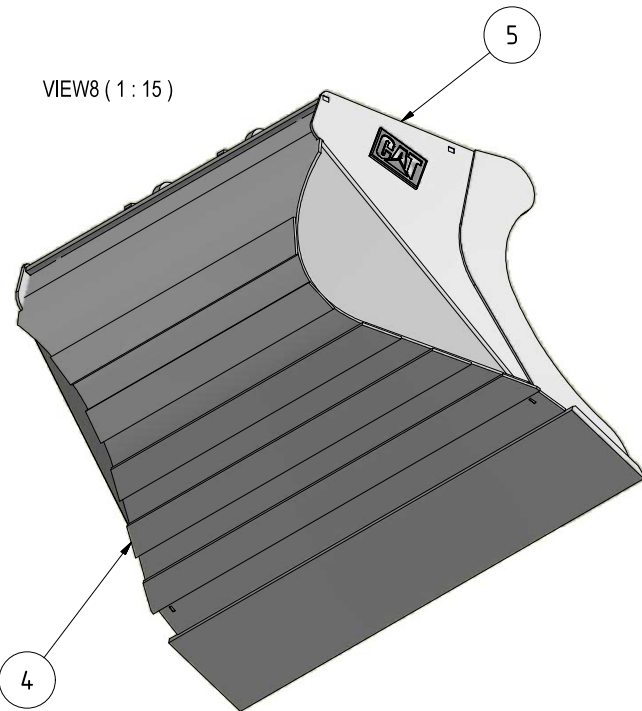
VIEW9 (1 : 15)



VIEW6 (1 : 20)



VIEW8 (1 : 15)



Recommended machine weight: 14-18 T

SPECIFICATION

POS	TITLE	MATERIAL	DESCRIPTION
1.	FRONT EDGE	HARDOX 500	25x300x1600mm
2.	BOTTOM PLATE	HARDOX 450	10mm
3.	SIDE MEMBER	HARDOX 500	15mm
4.	WEAR STRIP	HARDOX 500	10x100mm
5.	SIDE PLATE	HARDOX 450	8mm
6.			

This drawing and design is our property, and NOT allowed copied or used without our permission. Any misuse can lead to prosecution and/or liability for compensation according to law.

SURFACE TREATMENT ACCORDING TO: P17.01

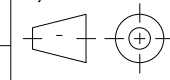
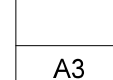
UNLESS OTHERWISE SPECIFIED DIMENSIONS ARE IN mm

SHEET 1 OF 3

HD GRADING BUCKET 0750L 1600mm S60
CAT PART NO 512-8395

Scale:

Projection:



Date: 11.08.2016

Draw.: K.A

Contr.:



Gjerstad Products AS
Gjerstadveien 373, N-4993 sundebru
www.gjerstad.com

Draw.no.:

512-8395

Total weight: 574 kg

Revision: A